

xVision Video Converter

HDMI to SDI

XVV-HDMI2SDI-TRUE1

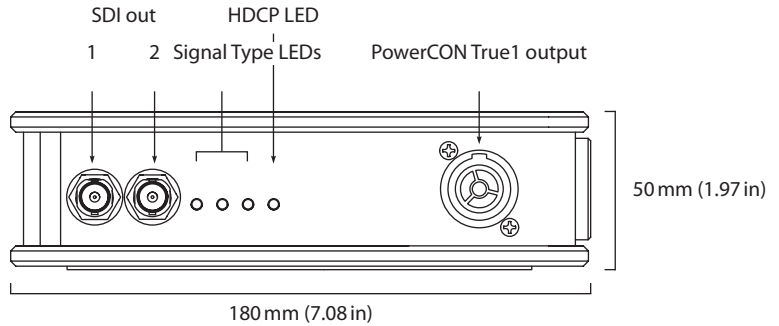
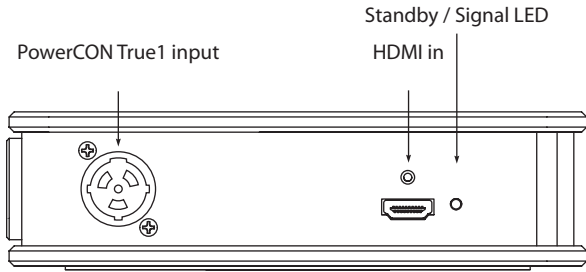
Professional equipment in mission-critical applications is all about reliability and confidence. So we started with a clean sheet, and built what may soon become your most trustworthy piece of equipment.

Introducing the world's first video converters *truly* designed for the road. Video converters nowadays are used everywhere on professional A/V events, presentations, live shows and tours and often have a critical role. Yet, they are often the weakest link in the signal chain. Low quality connectors, weak enclosure, external consumer-grade power supply, and overall barebones design that all contribute to a generally unreliable piece of equipment. We wanted to change that, so we designed the xVision Video Converters.



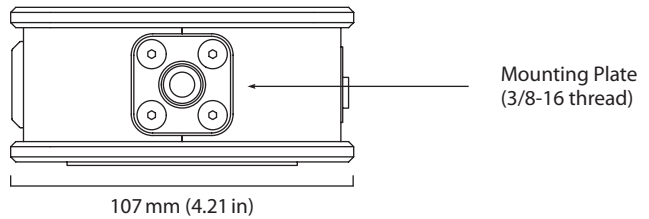
Features

- ✓ **Integrated power supply** with locking PowerCON True 1 Connector. Never rely on a cluster of wall-warts again.
- ✓ **Built-in convenience AC outlet** to power nearby projector, TV, laptop, small video projector... Power bar to power both the converter and device not required anymore.
- ✓ **Magnetic stacking system** and non-skid rubber pad for table top application. Saves at least 10 gaffer tape rolls a year.
- ✓ **Multiple mounting options:** C-Clamp, wall-mount adapter, LCD mount adapter and belt adaptor.
- ✓ **Rugged, Tour-ready and aesthetic enclosure:** The sexiest widget in your tool box, that will keep looking good for years to come.
- ✓ **Plug-n-play operation;** No dipswitches, buttons or menus to fumble with: It just works.
- ✓ Clear and ample status **LED indicators** for quick troubleshooting.
- ✓ HDMI input **tested and compatible with Apple** computers and iPad.
- ✓ **Easy on-the-field identification** with unique color and alphabetic coding system.
- ✓ **Locking HDMI port** prevents accidental disconnection.
- ✓ Integrated SDI splitter: **Dual SDI outputs.**
- ✓ Proudly designed and assembled **in Canada.**



Connections

Video Input HDMI 1.2 type A with lock system
Video Output 2 x 3G/HD/SD SDI BNC



Supported Signals

3G Format Support 1080p50, 1080p59.94, 1080p60.

HD Format Support 720p50, 720p59.94, 720p60, 1080i50, 1080i59.94, 1080i60, 1080p23.98, 1080PsF23.98, 1080p24, 1080PsF24, 1080p25, 1080PsF25, 1080p29.97, 1080PsF29.97, 1080p30, 1080PsF30

SD Format Support 525/23.98 NTSC, 525/29.97 NTSC.625/25 PAL.

SDI Video Sampling 4:2:2 and 4:4:4

SDI Audio Sampling Sample rate of 48 kHz and 24 bit.

SDI Color Space YUV and RGB

SDI Auto Switching Automatically detects incoming signal format.

Physical Specifications

Height 50 mm (1.97 in)
Depth 180 mm (7.08 in)
Width 107 mm (4.21 in)
Weight 1 kg (2.2 lbs)

Power Requirements

Power Supply Built-in power supply
PowerCON True1 input
PowerCON True1 output

Power Consumption 25 W

Operational Voltage Range 90-250V with True1 Connectors

Environmental Specifications

Relative Humidity 0% to 90% non-condensing

In the box

- xVision converter HDMI to SDI (True1)
- HDMI male with locking system to DVI male (1m)

Ordering information

XVV-HDMI2SDI-TRUE1xVision HDMI to SDI converter (True1)

XVV-SDI2HDMI-TRUE1xVision SDI to HDMI converter (True1)

XVV-SDIDA-TRUE1xVision SDI Distribution Amplifier (4 outputs, True1)

XVV-RKxVision Video Converter Rigging Kit

XVV-MWxVision Video Converter Wall Mount Adapter

XVV-MTxVision Video Converter LCD Mount Adapter

XVV-CC1xVision Video Converter Carrying Case for 1 unit

XVV-CC2xVision Video Converter Carrying Case for 2 units