

Safety - read this first

Warning Symbols in this Operators Guide



Where there is a risk of personal injury, injury to others, or damage to the pan and tilt head or associated equipment, comments appear, highlighted by the word **WARNING!** and supported by the warning triangle symbol.

Technical data

Weight	15 kg (33 lb)
Height to wedge adaptor mounting face	24.8 cm (11.3 in.)
Length	22.5 cm (8.9 in.)
Width	34.2 cm (13.5 in.)
Typical payload	16-120 kg (35-264.5 lb) - See balance graph (Fig 3)
Tilt range	60 kg payload to $\pm 90^\circ$, 120 kg payload to $\pm 60^\circ$
Pan range	360°
Operating temperature range	- 40°C to + 60°C (- 40°F to + 140°F)
Pedestal/tripod fixing	Four-hole flat base 'Quickfix' adaptor Mitchell adaptor

Further information

For further information or advice regarding this pan and tilt head, please contact Vinten, your local Vinten distributor (see back cover) or visit our website.

For details on maintenance and spare parts, please refer to the Vector 950 Pan and Tilt Head Maintenance Manual and Illustrated Parts List (Publication Part No. V3996-4990) This is obtainable from Vinten or your local Vinten distributor. For information on-line, visit our website at

www.vinten.com

HDT Heavy-Duty Tripod Range

HEIGHT		RADIUS	SPREADER
m.m.		m.m.	
MAX.	928	950	INTEGRAL *
MIN.	584	590	INTEGRAL *
MAX.	1230	380	INTEGRAL
MAX.	1230	380	FLOOR (MIN)
MIN.	590	575	FLOOR (MAX)

* FULLY DEPLOYED

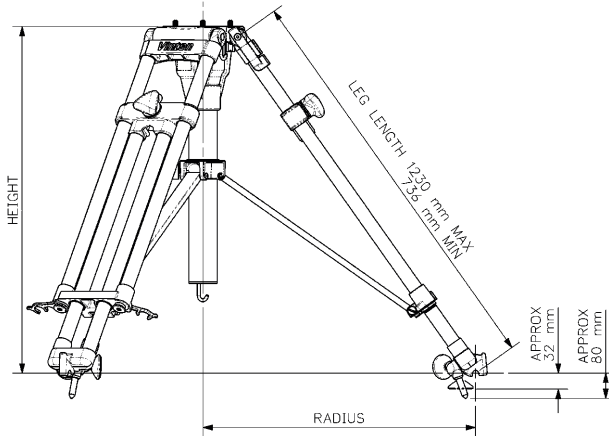
FOLDED DIMENSIONS (MAXIMUM OUTLINE):
 Ø 240 x 780 LONG

STANDARD MOUNTING INTERFACE:

4 - 3/8" BSW BOLTS ON 111.12 m.m. PCD
 (MAXIMUM PROTRUSION 12.0 m.m.)

WEIGHTS: TRIPOD AND INTEGRAL SPREADER: 13.5 Kg
 TRIPOD AND CENTRE COLUMN: 11.7 Kg
 TRIPOD ONLY: 10.7 Kg

TEMPERATURE RANGE: -40°C to 60°C



HEIGHT		RADIUS	SPREADER
m.m.		m.m.	
MAX.	1170	960	INTEGRAL *
MIN.	584	530	INTEGRAL *
MAX.	1470	380	INTEGRAL
MAX.	1460	380	FLOOR (MIN)
MIN.	511	575	FLOOR (MAX)

* FULLY DEPLOYED

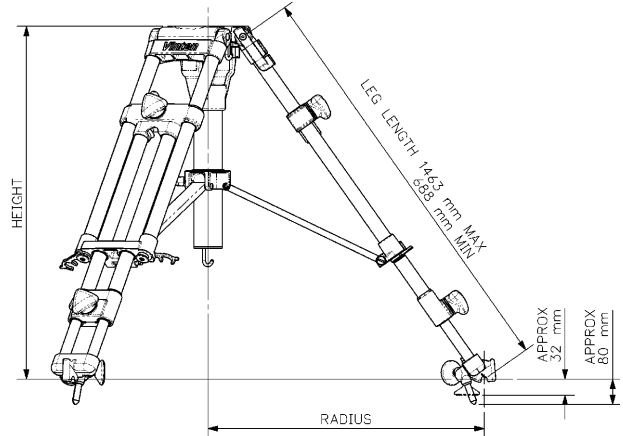
FOLDED DIMENSIONS (MAXIMUM OUTLINE):
 Ø 240 x 725 LONG

STANDARD MOUNTING INTERFACE:

4 - 3/8" BSW BOLTS ON 111.12 m.m. PCD
 (MAXIMUM PROTRUSION 12.0 m.m.)

WEIGHTS: TRIPOD AND INTEGRAL SPREADER: 15.3 Kg
 TRIPOD AND CENTRE COLUMN: 13.8 Kg
 TRIPOD ONLY: 12.8 Kg

TEMPERATURE RANGE: -40°C to 60°C



Main assemblies

HDT-1 single-stage tripod	3901-3
HDT-2 two-stage tripod	3902-3
Elevation unit	3370-3
OB dolly	3497-3B
Studio dolly	3497-3C
Tracking dolly (black), 12.5 cm twin wheels	3369-51
Tracking dolly (black), 6.2 cm quad wheels	3369-57
Mid-level spreader for single-stage tripod	3901-25
Mid-level spreader for two-stage tripod	3902-25

Optional accessories

Heavy-duty QuickFix adaptor	3490-3
100 mm levelling bowl adaptor	3330-16
150 mm levelling bowl adaptor	3330-17
Four-bolt adaptor	3368-24
Floor spreader	3367-3
Spanner - for head fixing bolts	J551-001

Technical Data

Vinten

Tripod

Maximum height with floor spreader	123 cm (48.4 in.)	146 cm (57.5 in.)
Minimum height with floor spreader	59 cm (23.2 in.)	51.1 cm (20.1 in.)
Weight	13.5 kg (29.7 lb)	15.3 kg (33.7 lb)
Transport length	78 cm (30.7 in.)	72.5 cm (28.5 in.)
Recommended maximum load	140 kg (308 lb)	120 kg (265 lb)

Elevation Unit

Load capacity with HDT-1 tripod	113 kg (250 lb)
Weight	5 kg (11 lb)
on-shot stroke	45.8 cm (18.0 in.)
Minimum height with HDT-1 tripod and floor spreader	71.5 cm (28.1 in.)
Maximum height with HDT-1 tripod and floor spreader	181.2 cm (71.3 in.)

Dolly

Load capacity	160 kg (352 lb)	160 kg (352 lb)
Weight	9 kg (19.8 lb)	9 kg (19.8 lb)
Folded size cm x 26.2 cm 10.3 in)	28.1 cm x 75.7 cm x 24 cm 11 in. x 29.8 in. x 9.4 in (11 in. x 30.2 in. x	28.1 cm x 76.6 50 cm (19.7 in.)
Leg radius	50 cm (19.7 in.)	50 cm (19.7 in.)
Wheel diameter	12.5 cm (5 in.)	15 cm (6 in.)
Height to tripod mounting	22.9 cm (9 in.)	25.2 cm (9.9 in.)

Studio

OB

Tracking dolly

Load capacity	160 kg (352 lb)
Weight	11 kg (24 lb)
Folded size	36 cm x 64.4 cm x 23 cm (14 in. x 26 in. x 9 in.)

Vinten Broadcast Limited
Western Way, Bury St. Edmunds
Suffolk IP33 3TB, United Kingdom
Telephone +44 (0)1284 752121
Telefax +44 (0)1284 750560
Sales Office Fax +44 (0)1284 757929

Vinten GmbH
Gebäude 16
Planiger Straße 34
D-55543 Bad Kreuznach, Germany
Telephone +49 (0) 671/483 43-30
Telefax +49 (0) 671/483 43-50

Vinten Japan KK
3-37-5 Sendagaya
Shibuya-Ku, Tokyo 151-0051, Japan
Telephone +81 3-3478-6017
Telefax +81 3-3478-6018

Vinten Inc.
709 Executive Boulevard
Valley Cottage, NY 10989, USA
Telephone +1 845 268 0100
Telefax +1 845 268 0113
Toll Free 1 888 4 VINTEN (Service)
1 888 2 VINTEN (Sales)

Vinten Broadcast s.a.r.l.
171, Avenue des Grésillons
92635 GENNEVILLIERS Cedex
France
Telephone +33 08 20 82 13 36
Telefax +33 08 25 82 61 81

Vinten Asia Pacific Pte Ltd
6 New Industrial Road
#02-02 Hoe Huat Industrial Building
Singapore 536199
Telephone +65 62975776
Telefax +65 62975778

Vinten