



xVision Video Converter Optical Fiber to SDI Receiver

TXVV-FIBER2SDI-TRUE1

Professional equipment in mission-critical applications is all about reliability and confidence. So we started with a clean sheet, and built what may soon become your most trustworthy piece of equipment.

Introducing the world's first video converters *truly* designed for the road. Video converters nowadays are used everywhere on professional A/V events, presentations, live shows and tours and often have a critical role. Yet, they are often the weakest link in the signal chain. Low quality connectors, weak enclosure, external consumer-grade power supply, and overall barebones design that all contribute to a generally unreliable piece of equipment. We wanted to change that, so we designed the xVision Video Converters.

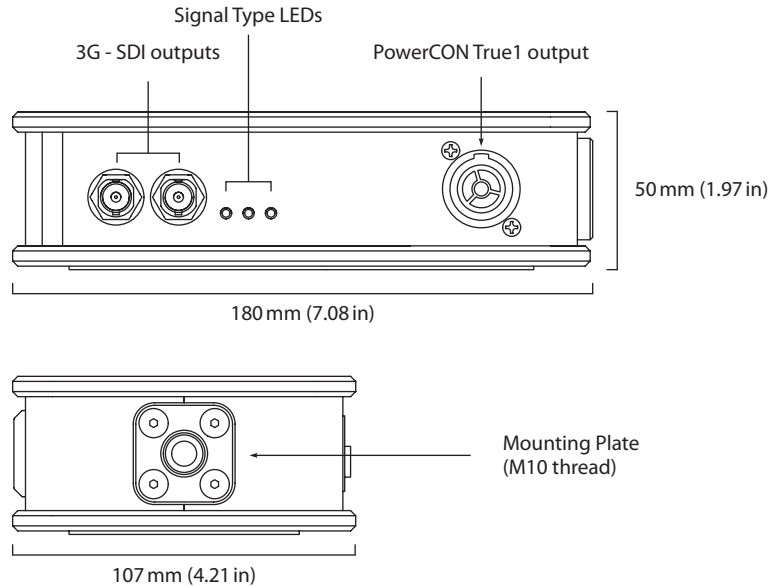


DESIGNED & MANUFACTURED
IN CANADA



Features

- ✓ **Integrated power supply** with locking PowerCON True 1 Connector. Never rely on a cluster of wall-warts again.
- ✓ **Built-in convenience AC outlet** to power nearby projector, TV, laptop, small video projector... Power bar to power both the converter and device not required anymore.
- ✓ **Magnetic stacking system** and non-skid rubber pad for table top application. Saves at least 10 gaffer tape rolls a year.
- ✓ **Multiple mounting options:** C-Clamp, wall-mount adapter, LCD mount adapter and belt adaptor.
- ✓ **Rugged, Tour-ready and aesthetic enclosure:** The sexiest widget in your tool box, that will keep looking good for years to come.
- ✓ **Plug-n-play operation;** No dipswitches, buttons or menus to fumble with: It just works.
- ✓ Clear and ample status **LED indicators** for quick troubleshooting.
- ✓ **Easy on-the-field identification** with unique color and alphabetic coding system.
- ✓ **Locking HDMI port** prevents accidental disconnection.
- ✓ **Relocked and amplified SDI loop thru**
- ✓ Proudly designed and assembled **in Canada**.
- ✓ SFP-based video transmission for interoperability with standard SDI over fiber devices.
- ✓ Choice of three optical connectors, each available as single-mode and multimode types.



Connections

Video Input Optical SDI on ST/OpticalCON DUO/OpticalCON QUAD, **Multimode** or **Singlemode**.

Video Output 3G/HD/SD SDI BNC

Supported Signals

Video Format Support 3G-SDI Level A and B, HD-SDI, SD-SDI with embedded audio.

Physical Specifications

Height 50 mm (1.97 in)
Depth 180 mm (7.08 in)
Width 107 mm (4.21 in)
Weight 1 kg (2.2 lbs)

Environmental Specifications

Relative Humidity 0% to 90% non-condensing

Ordering information

TXVV-SDI2FIBER-TRUE1 [1] [2] [3]xVision SDI to FIBER Transmitter (True1)
TXVV-FIBER2SDI-TRUE1 [1] [2] [3]xVision FIBER to SDI Receiver (True1)

Singlemode: **S**
Multimode: **M**

1: ST Connector
2: OpticalCON DUO
3: OpticalCON QUAD

Power Requirements

Power Supply Built-in power supply
PowerCON True1 input
PowerCON True1 output

Power Consumption 25W

Operational Voltage Range 90-250V with True1 connectors
Courtesy Outlet Max 10A, same voltage as input

In the box

- xVision converter Fiber to SDI (True1)
- AC Mains PowerCon cable (1.5 m, specify plug type at ordering)

Certification

This device complies with the following international standards

CAN/CSA-C22.2 NO. 60950-1-07
UL 60950-1
FCC Part 15 Class A
EN 60950-1, EN 55022



xVision Video Converter SDI to Optical Fiber Transmitter

TXVV-SDI2FIBER-TRUE1

Professional equipment in mission-critical applications is all about reliability and confidence. So we started with a clean sheet, and built what may soon become your most trustworthy piece of equipment.

Introducing the world's first video converters *truly* designed for the road. Video converters nowadays are used everywhere on professional A/V events, presentations, live shows and tours and often have a critical role. Yet, they are often the weakest link in the signal chain. Low quality connectors, weak enclosure, external consumer-grade power supply, and overall barebones design that all contribute to a generally unreliable piece of equipment. We wanted to change that, so we designed the xVision Video Converters.

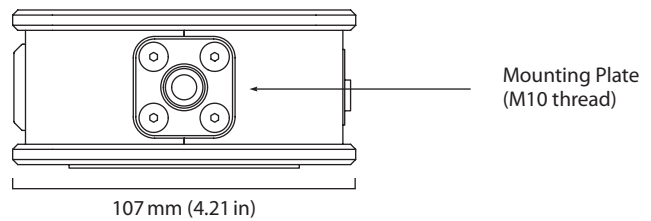
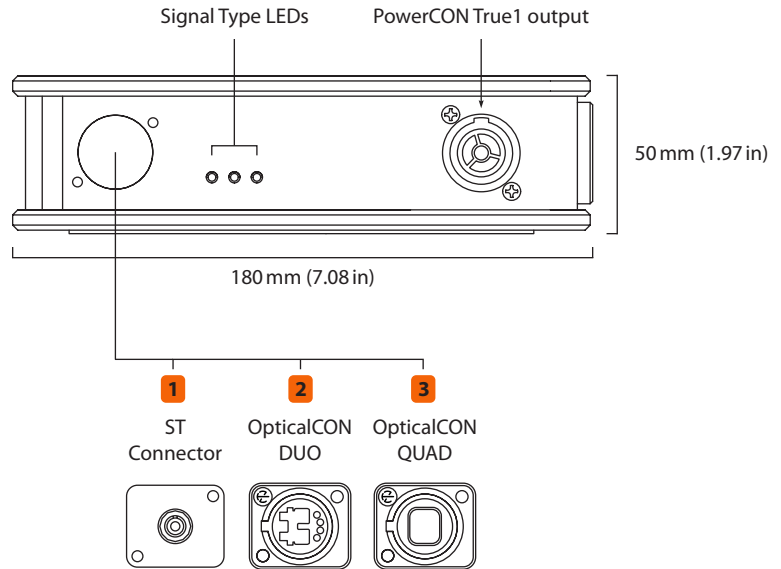
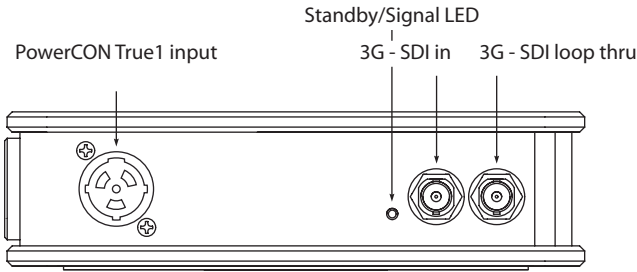


DESIGNED & MANUFACTURED
IN CANADA



Features

- ✓ **Integrated power supply** with locking PowerCON True 1 Connector. Never rely on a cluster of wall-warts again.
- ✓ **Built-in convenience AC outlet** to power nearby projector, TV, laptop, small video projector... Power bar to power both the converter and device not required anymore.
- ✓ **Magnetic stacking system** and non-skid rubber pad for table top application. Saves at least 10 gaffer tape rolls a year.
- ✓ **Multiple mounting options:** C-Clamp, wall-mount adapter, LCD mount adapter and belt adaptor.
- ✓ **Rugged, Tour-ready and aesthetic enclosure:** The sexiest widget in your tool box, that will keep looking good for years to come.
- ✓ **Plug-n-play operation;** No dials, switches, buttons or menus to fumble with: It just works.
- ✓ Clear and ample status **LED indicators** for quick troubleshooting.
- ✓ **Easy on-the-field identification** with unique color and alphabetic coding system.
- ✓ **Locking HDMI port** prevents accidental disconnection.
- ✓ **Relocked and amplified SDI loop thru**
- ✓ Proudly designed and assembled **in Canada**.
- ✓ SFP-based video transmission for interoperability with standard SDI over fiber devices.
- ✓ Choice of three optical connectors, each available as single-mode and multimode types.



Connections

Video Input 3G/HD/SD SDI BNC with reclocked loop-thru.
Video Output Optical SDI on ST/OpticalCON DUO/OpticalCON QUAD, **Multimode** or **Singlemode**.

Supported Signals

Video Format Support 3G-SDI Level A and B, HD-SDI, SD-SDI with embedded audio.

Physical Specifications

Height 50 mm (1.97 in)
Depth 180 mm (7.08 in)
Width 107 mm (4.21 in)
Weight 1 kg (2.2 lbs)

Environmental Specifications

Relative Humidity 0% to 90% non-condensing

Power Requirements

Power Supply Built-in power supply
PowerCON True1 input
PowerCON True1 output
Power Consumption 25 W
Operational Voltage Range 90-250V with True1 connectors
Courtesy Outlet Max 10A, same voltage as input

In the box

- xVision converter SDI to Fiber (True1)
- AC Mains True1 cable (1.5 m, specify plug type at ordering)

Certification

This device complies with the following international standards
CAN/CSA-C22.2 NO. 60950-1-07
UL 60950-1
FCC Part 15 Class A
EN 60950-1, EN 55022

Ordering information

TXVV-SDI2FIBER-TRUE1 [1] [1]xVision SDI to FIBER Transmitter (True1)
TXVV-FIBER2SDI-TRUE1 [1] [1]xVision FIBER to SDI Receiver (True1)

Singlemode: **S**
Multimode: **M**

1: ST Connector
2: OpticalCON DUO
3: OpticalCON QUAD

XVV-CC1xVision Video Converter Carrying Case for 1 unit
XVV-CC2xVision Video Converter Carrying Case for 2 units
XVV-CC3xVision Video Converter Carrying Case for 3 units