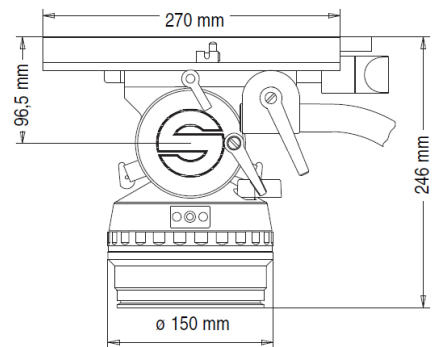
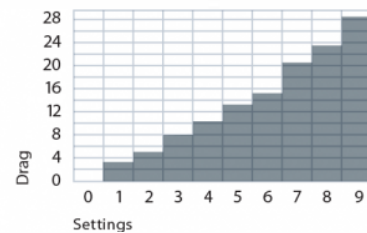
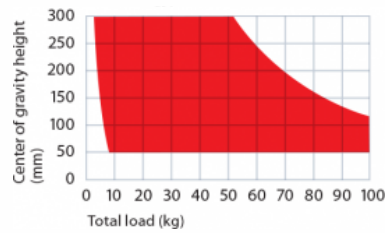




- Counterbalance: up to 90 kg / 198 lb (200 mm c.o.g. height)
- Balance plate: up to 90 kg / 198 lb (200 mm c.o.g. height)
- Grades of drag: 7 horizontally, vertically and 0
- Tilt range: $\pm 60^\circ$
- Panning range: continuous
- Temperature range: - 40°C (-40°F) to 60°C (140°F)
- Weight: 14.4 kg / 31.7 lb
- Max. load: 90 kg / 198 lb
- Camera fitting: V-formed wedge plate according to international standard
- Tripod fitting: flat base for OB tripods and pedestals
- Pan bars: two front sections, diameter 28.5 mm/1.1", length 400 mm / 21.6"



Feature	Value	Metric
Range	Studio	
Weight	55 kg	
Payload	75 kg	
Clearance	920 mm	
Height	0.66 to 1.43 m	
Head fitting	Flat base with quick fix	
On shot stroke	770 mm	
Steering	Dolly, Steering, Crab Mode, Steer mode	