

HyperDeck Extreme 8K HDR



8K broadcast deck with the trusted reliability of HyperDeck combined with advanced H.265 recording, internal cache, 3D LUTs, native 8K and HDR support. Large touch screen to view your recording with dedicated buttons for play, stop and record, plus a mini timeline for scrolling through your recordings. You can even image swipe to jog! The LCD includes a heads up display of timecode, video standard, media status and audio meters and more!

Connections

SDI Video Inputs

4

SDI Video Outputs

5 (12G-SDI A,B,C,D and 3G-SDI Monitor Out)

SDI Rates

270Mb, 1.5G, 3G, 6G, 12G.

HDMI 2.0 Video Inputs

1

HDMI 2.0 Video Outputs

1

Analog Video Inputs

1 x Component YUV on 3 BNCs,
1 x Composite NTSC/PAL on 1 BNC.

Analog Video Outputs

None.

Analog Audio Inputs

4 Channels of professional balanced analog audio via XLR connectors and 2 channels of consumer unbalanced via RCA connectors.

Built in Speaker

Mono

Screen

7 inch 1920 x 1200. 2000 nit DCI-P3
100% HDR LCD

Timecode Connections

1 x XLR in and 1 x XLR out.

Reference Input

Tri-Sync or Black Burst.

SDI Audio Inputs

16 channels embedded audio.

SDI Audio Outputs

16 channels embedded audio.

HDMI Audio Inputs

8 channels embedded audio.

HDMI Audio Outputs

8 channels embedded audio.

Remote Control

1 x RS-422 In, 1 x RS-422 Out.

Recorder Configuration

Via user interface or
Blackmagic HyperDeck Ethernet Protocol.

Ethernet

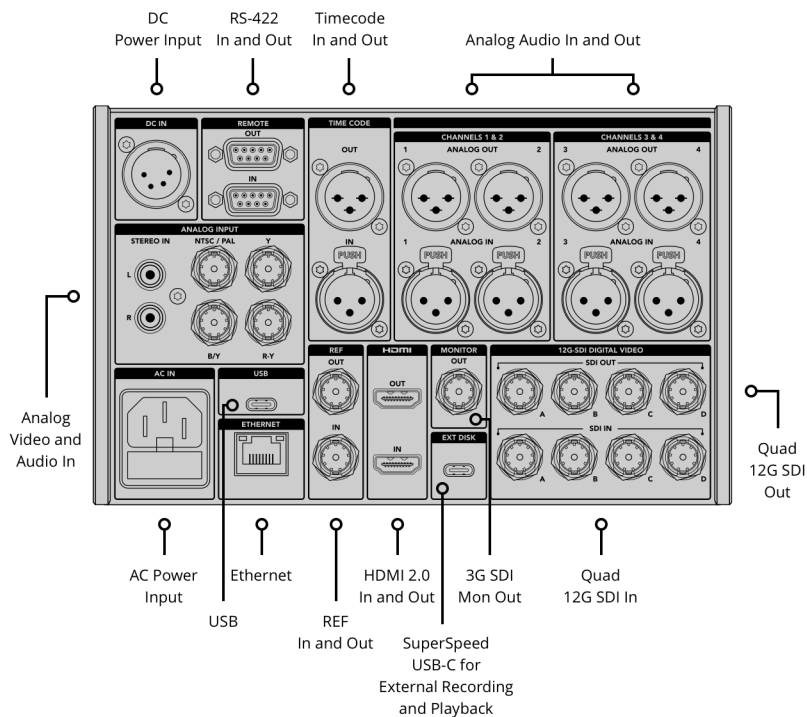
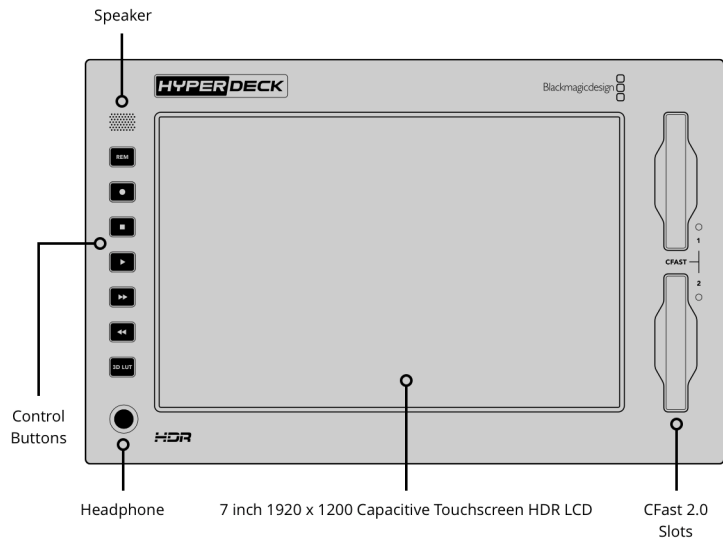
10Gb/s

External Recording

1 x USB-C 3.1 Gen 2 (up to 10Gb/s) for
external disk recording.

Computer Interface

1 x USB-C for software updates.



Standards

SD Video Standards

525i59.94 NTSC, 625i50 PAL

HD Video Standards

720p50, 720p59.94, 720p60
 1080i50, 1080i59.94, 1080i60
 1080p23.98, 1080p24, 1080p25,
 1080p29.97, 1080p30, 1080p50,
 1080p59.94, 1080p60
 1080PsF23.98, 1080PsF24,
 1080PsF25, 1080PsF29.97, 1080PsF30

2K DCI Video Standards

1080p23.98 DCI, 1080p24 DCI,
 1080p25 DCI
 1080PsF23.98 DCI, 1080PsF24 DCI,
 1080PsF25 DCI

Ultra HD Video Standards

2160p23.98, 2160p24, 2160p25,
 2160p29.97, 2160p30, 2160p50,
 2160p59.94, 2160p60

4K DCI Video Standards

2160p23.98 DCI, 2160p24 DCI, 2160p25 DCI

8K Video Standards

4320p23.98, 4320p24, 4320p25, 4320p29.97, 4320p30, 4320p50, 4320p59.94, 4320p60

8K DCI Video Standards

4320p23.98 DCI, 4320p24 DCI, 4320p25 DCI

SDI Compliance

SMPTE 259M, SMPTE 292M, SMPTE 296M, SMPTE 372M, SMPTE 424M, SMPTE 425M Level A and B, SMPTE 2081-1, SMPTE 2081-10, SMPTE 2082-1, SMPTE 2082-10 and SMPTE 2084.

SDI Metadata Support

HD RP188 and closed captioning CEA-708. HDR Metadata supported on SDI.

Audio Sampling

Television standard 24-bit, 48 kHz sample rate.

Video Sampling

4:2:2 YUV

Color Precision

10-bit

Color Space

REC 601, REC 709, REC 2020. 33 point 3D LUTS can be applied via the LUTS menu tab.

Multi Rate Support

Auto detection of SD, HD, 6G-SDI, 12G-SDI, 2SI Quad Link 12G-SDI.

Copy Protection

HDMI input is unable to capture from copy protected HDMI sources. Always confirm copyright ownership before capture or distribution of content.

Media**Cache Recording**

M.2 PCIe NVMe card for cache recording up to 16Gb/s. 60mm 80mm and 110mm supported.

Media

2 x CFast 2.0 card slots and 1 x USB-C 3.1 Gen 2 expansion port for external recording of SD, HD, Ultra HD and 8K. Please refer to either the Manual or the Information Note at www.blackmagicdesign.com/ support for compatible media.

Media Type

CFast card and external USB-C flash drives.

Media Format

Can format media to ExFAT (Windows/Mac) or HFS+ (Mac) file systems.

Supported Codecs

ProRes HQ QuickTime, ProRes 422 QuickTime, ProRes LT QuickTime for all formats up to 4320p60. H.265 High, H.265 Medium, H.265 Low for all progressive formats up to 4320p60.

Scopes**Scopes**

Waveform, RGB Parade, Vector and Histogram scopes in broadcast quality 10-bit.

Viewing Modes

Picture in picture, picture overlay with opacity control. Waveform and RGB parade with standard and HDR graticules and Vector with zoom.

Control

Built in Control Panel

Integrated capacitive touchscreen LCD with onscreen controls for settings and navigating menus.

External Control

RS-422 deck control, SDI start/stop, timecode run. Includes Blackmagic HyperDeck Ethernet Protocol.

Software

Software Included

Blackmagic OS
Blackmagic HyperDeck Setup

Internal Software Upgrade

Loaded at system start, or via Blackmagic HyperDeck Setup using USB port.

Operating Systems



Mac 10.14 Mojave,
Mac 10.15 Catalina or later.



Windows 8.1 and 10.

Displays

Built in LCD for video, audio and timecode monitoring and menu settings.

Power Requirements

Power Supply

1 x Internal 100 - 240V AC.

Physical Installation

3 rack units height, half rack width.

Physical Specifications



Environmental Specifications

Operating Temperature:

0° to 40° C (32° to 104° F)

Storage Temperature:

-20° to 60° C (-4° to 113° F)

Relative Humidity:

0% to 90% non-condensing

All items on this website are copyright Blackmagic Design Pty. Ltd. 2020, all rights reserved. All trademarks are property of their respective owners. MSRP includes duties, but excludes sales tax and shipping costs. This website uses remarketing services to advertise on third party websites to previous visitors to our site. You can opt out at any time by changing cookie settings. [Privacy Policy](#)

HyperDeck Extreme Control



HyperDeck Extreme Control adds traditional broadcast deck controls to HyperDeck Extreme 8K. It works like a traditional broadcast deck with a familiar layout. Control up to 8 decks via industry standard RS-422 control.

Connections

Deck Control Outputs

8 x RS-422

Reference Input

Tri-Sync or Black Burst.

Reference Output

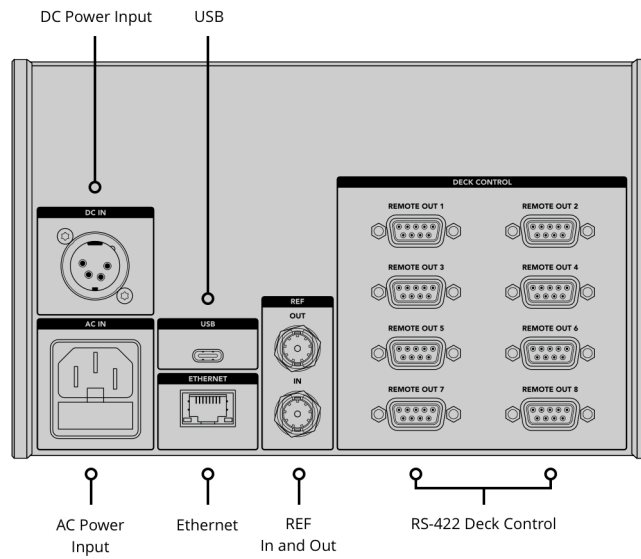
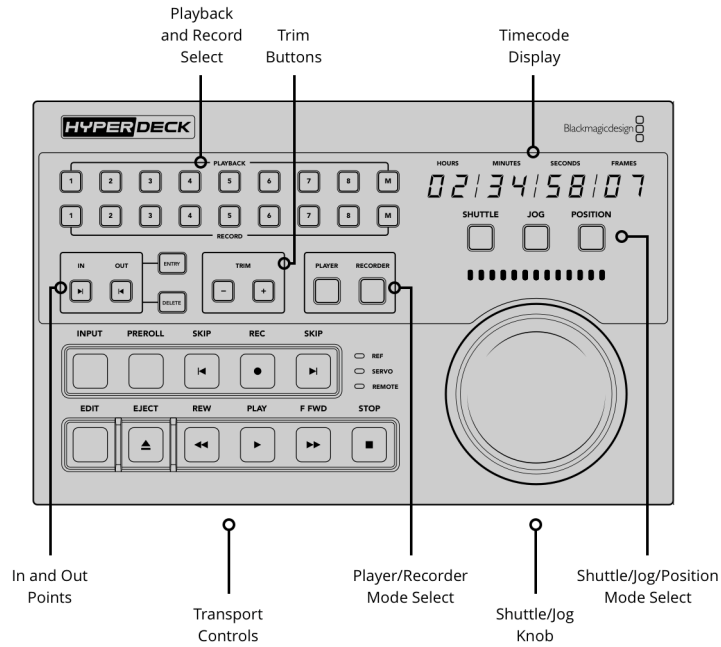
Follows reference input.

Ethernet

1Gb/s

Computer Interface

1 x USB-C for software updates.



Supported Protocols

Control Protocols

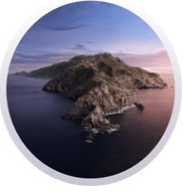
Sony

Software

Internal Software Upgrade

Loaded at system start,
or via Blackmagic HyperDeck Setup
using USB port.

Operating Systems



Mac 10.14 Mojave,
Mac 10.15 Catalina or later.



Windows 8.1 and 10.

Displays

8 digit, 7 segment LED timecode
display.

Power Requirements

Power Supply

1 x Internal 100 - 240V AC.

Physical Installation

3 rack units height, half rack width.

Physical Specifications



Environmental Specifications

Operating Temperature:
0° to 40° C (32° to 104° F)

Storage Temperature:
-20° to 60° C (-4° to 113° F)

Relative Humidity:
0% to 90% non-condensing

All items on this website are copyright Blackmagic Design Pty. Ltd. 2020, all rights reserved. All trademarks are property of their respective owners. MSRP includes duties, but excludes sales tax and shipping costs. This website uses remarketing services to advertise on third party websites to previous visitors to our site. You can opt out at any time by changing cookie settings. [Privacy Policy](#)



Product Type

SSD

Application

Storage

Capacity

1,000GB (1GB=1 Billion byte by IDEMA) * Actual usable capacity may be less (due to formatting, partitioning, operating system, applications or otherwise)

Key Features

Sequential Read Speed

Up to 3,500 MB/s * Performance may vary based on system hardware & configuration

Random Read Speed

Random Read (4KB, QD32): Up to 600,000 IOPS; Random Read (4KB, QD1): Up to 19,000 IOPS * Performance may vary based on system hardware & configuration

Controller

Samsung Phoenix Controller

Cache Memory

Samsung 1GB Low Power DDR4 SDRAM

AES Encryption

AES 256-bit Encryption (Class 0)TCG/Opal IEEE1667 (Encrypted drive)

GC (Garbage Collection)

Auto Garbage Collection Algorithm

Device Sleep Mode Support

Yes

NVMe

Yes

General

Average Power Consumption (system level)

* Average: 6 W * Maximum: 9 W (Burst mode) * Actual power consumption may vary depending on system hardware & configuration

Voltage

3.3 V ± 5 % Allowable voltage

Series

970 EVO Plus

Interface

PCIe Gen 3.0 x 4, NVMe 1.3

Sequential Write Speed

Up to 3,300 MB/s * Performance may vary based on system hardware & configuration

Random Write Speed

Random Write (4KB, QD32): Up to 550,000 IOPS; Random Write (4KB, QD1): Up to 60,000 IOPS * Performance may vary based on system hardware & configuration

NAND Flash

Samsung V-NAND 3-bit MLC

Trim Support

Supported

S.M.A.R.T. Support

Supported

WWN Support

Not supported

Temperature proof

Yes

Gaming SSDs

Yes

Power consumption (Idle)

Max. 30 mW * Actual power consumption may vary depending on system hardware & configuration

Reliability (MTBF)

1.5 Million Hours Reliability (MTBF)

Environmental Specs

Operating Temperature

0 - 70 °C Operating Temperature

Form Factor

Product

M.2 (2280)

Dimensions (W x H x D)

Product

80.15 x 22.15 x 2.38 (mm)

Weight

Product

Max 8.0 g Weight

Shock

1,500 G & 0.5 ms (Half sine)