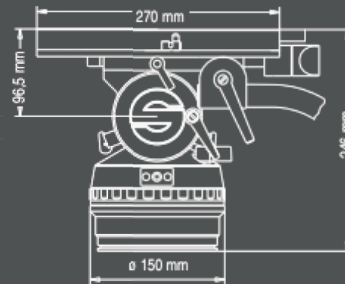
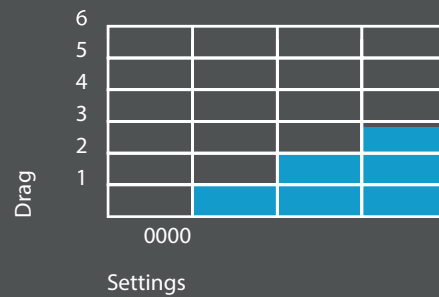
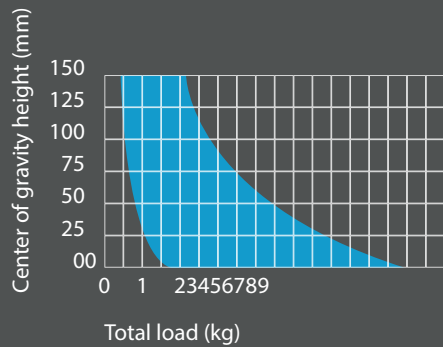


SACHTLER VIDEO 90 FB



Model designation	Sachtler Video 90 FB
Range	Studio
Payload	0 to 115 kg
Counterbalance	24 steps
Drag	7 + 0 drag settings
Weight	16 kg
Pan bar length	400 mm
Pan bar type	Pan bar front sections
Pan bar attachment	28.5/-/- mm
Pan bar count	2
Level bubble	Yes
Adaptor viewfinder extension	Included Adaptor
Bowl size	Flat base
Camera plate	V-plate
Temperature range	-40 to 60 °C
Tilt range	+60° to -45°
Sliding range	180 mm
Interface Compatibility	V-plate



SACHTLER TRIPOD OB 2000

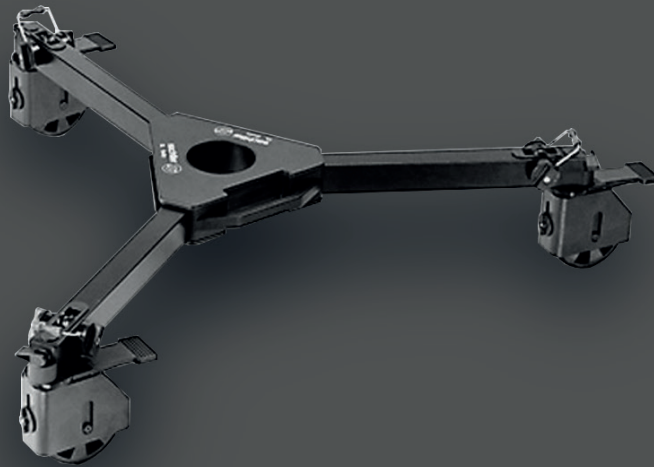
LANG



Model designation	Sachtler Tripod OB 2000
Range	OB
Payload	0 to 140 kg
Bowl size	Flat base
Spreader type	Mid-level spreader
Material	Aluminium
Transport length	840 mm
Tripod stages	1
Height with mid spreader	0.66 to 1.24 m
Weight without spreader	9.60 kg

SACHTLER TRIPOD OB 2000

LANG



Model designation	Sachtler Dolly XL
Height	190 mm
Maximum payload	140 kg
Built up radius	562 mm
Weight	6.80 kg