

P20/P20-DS Seamless Switcher



Specifications

Change History

Document Version	Release Date	Description
V1.6.0	2025-03-26	<ul style="list-style-type: none"> • Added a new model: P20-DS • Added support for 3.5 mm audio inputs and outputs, Dante audio networking, SDI outputs, and connector groups. (P20-DS) • Added support for 4x MAIN layers and 4x PIP layers. • Added support for antistatic settings. • Updated the description of the input source backup feature. • Added interlaced signal support for HDMI 2.0 input connectors. • Added a stability description. • Changed the max pixel height supported by DP 1.2 and HDMI 2.0. • Added the maximum output resolution of the AUX connectors.
V1.5.0	2024-10-20	<ul style="list-style-type: none"> • Added support for interlaced signal output. • Updated the descriptions of input backup, BKG, and Stream Deck. • Updated the dimensions of the flight case.
V1.4.0	2024-06-05	Added dynamic frame rate calculation, Mac EDID compatibility, KeyFrame, and control of multiple P20 units.
V1.3.0	2024-02-02	Updated the front panel button descriptions.
V1.2.0	2024-01-05	<ul style="list-style-type: none"> • Added the multiple screen configuration, Cut & Fill, edge blending, LCD bezel compensation, and device backup. • Updated the layer resource description. • Updated the button and connector descriptions. • Updated the application topology.
V1.1.0	2023-09-30	<ul style="list-style-type: none"> • Added a description for Stream Deck. • Updated the application topology.
V1.0.1	2023-06-30	<ul style="list-style-type: none"> • Added the gross weight when the product and accessories are packed with a paper box. • Added the maximum power consumption and noise level. • Deleted the USB cable.

Introduction

PIXELHUE's P20 and P20-DS are new 4K seamless switchers fully featured in a compact form factor. The seamless switchers is designed with a wide variety of 4K connectors, featuring video processing, image mosaic, transition effects, multi-screen display, and much more. The P20 and P20-DS are suitable for small/medium-sized live events such as conferences, exhibitions and shows, and many fixed installations.

The P20 and P20-DS have powerful signal receiving and processing capabilities. It supports up to 12x 4K video inputs. In PGM only mode, the output resolution per P20/P20-DS is up to

8K×4K@60Hz. In switcher mode, a single P20/P20-DS supports up to two 4K×2K@60Hz PGM outputs. It supports 4x AUX outputs and 1x Multiviewer output. Additionally, 10G optical fiber ports are provided, allowing the P20/P20-DS to transmit signals over a long distance without fiber converters. High-performance image deinterlacing is also supported.

The P20 and P20-DS support two working modes: switcher mode and PGM only mode and features up to 12 layers, dynamic range conversion, advanced DSK capability, transition effects such as fade in and fade out, and custom test patterns. High-resolution images can be captured from live inputs and outputs. Up to 128 presets can be saved for easy recall. Visualized live view of input and output connector statuses are also supported.

Besides, the P20/P20-DS comes with a 5-inch graphical LCD screen on the front panel, allowing for more efficient and intuitive control. Users can control the P20/P20-DS with the front panel LCD, event controller U5/U5 Pro, event management software PixelFlow, or third-party control system Stream Deck, making control more flexible and easier.

Certifications

FCC, IC, CE, KC, CB

If the product does not have the relevant certifications required by the countries or regions where it is to be sold, please contact PIXELHUE to confirm or address the problem. Otherwise, the customer shall be responsible for the legal risks caused or PIXELHUE has the right to claim compensation.

Features

Input and Output

- 12x 4K video inputs
 - 4x 12G-SDI
 - 8x DP 1.2/HDMI 2.0 (Only one can be selected at the same time)
- Support for 12bit/10bit/8bit video sources
- Genlock synchronization signal input (with loop output)
- Automatic HDCP decryption for inputs and HDCP encryption for outputs
- Deinterlacing of SDI video sources
- Output capacity switching
 - 8x HDMI 2.0
 - 4K: In switcher mode, two connectors work as primary and the other six work as backup for 4K output. The maximum output resolution of the four connectors is 8K×4K@60Hz.
 - DL: In both switcher and PGM only modes, four connectors work as primary and the other four work as backup for DL output.
- 4x AUX outputs
 - 4x HDMI 1.3 connectors for connecting to auxiliary devices such as teleprompters
- 1x MVR output

- 1x HDMI 1.3 connector for connecting to a Multiviewer screen to monitor all input sources, PVW, PGM and display the resolution, frame rate and more
- 10G optical fiber outputs
 - 8x OPT ports for copying the output images of HDMI connectors
- 4x 12G-SDI outputs (P20-DS)
 - 4x 12G-SDI connectors for copying the output images of HDMI connectors
- 3.5 mm audio jacks
 - 2x audio inputs and 2x audio outputs (the audio function of the P20 is to be implemented in future updates)
- 2x Dante connectors (P20-DS)
 - Dual redundancy Gigabit Ethernet ports (AES67 compliant)
 - Audio de-embedding/embedding on every input & output (raw audio)
 - De-embedded audio channels can be routed directly to the Dante network
 - Audio channels from external Dante audio processor can be re-embedded for sending to display, streaming or recording device
 - 32×32 Dante channels @48 kHz

Functionality

- Two working modes: Switcher mode and PGM only mode
- High-precision output synchronization
- Compatible with EDID on Mac
- Multi-screen configuration
 - Each connector can create a screen. Connectors 1, 2, 3, and 4 have the same resolution and connectors 5, 6, 7, and 8 have the same resolution.
 - Multiple output connectors supports splicing for uneven screen division, with each connector driving a section of the screen with varying resolutions.
 - Virtual pixel configuration is supported, simplifying calculations between on-site screen size and P20/P20-DS-loaded screen pixels.
- 12x Layers
 - Up to 2x MAIN DL layers and 10x PIP DL layers or 4x MAIN DL layers and 4x PIP DL layers
 - Each layer supports cross-connector output.
 - The Z-order of MAIN layers and the Z-order of PIP layers can be adjusted.
 - Input source capturing is supported.
 - MAIN layers support border and shadow. All layers support mask and flip.
 - KeyFrame is supported. (Only layer position and size can be adjusted for now. Additional functionalities will be implemented in future updates.)
 - Layer preset: Save layer properties and apply them to other layers for quick configuration.
- Cut & Fill
 - Use the original layer as a Fill layer and overlap it with the Cut layer to display the visible image of the Cut layer, allowing users to define output shapes and effects more flexibly.
- Edge blending

Blend the overlapping edges of the images projected by multiple projectors to ensure uniform brightness across the entire display.

- LCD bezel compensation

Eliminate the visual disruption caused by seams in spliced LCD displays, resulting in a more unified and seamless display.

- Advanced DSK capability

Smart key, luma key, and chroma key are supported.

- Dynamic range conversion

Convert the dynamic range format of the input source to SDR, HDR10, or HLG.

- BKG settings

- BKG can be loaded from the control computer or event controller.
- Images can be used as BKG.
- Images captured from input sources and PGM can be used as BKG.
- A solid color can be selected as BKG.
- BKG can be turned on or off.
- BKG can be changed and deleted.
- The aspect ratio, position and size of BKG can be adjusted.

- Preset recall

Up to 128 presets can be saved for easy recall.

- Custom test patterns

Set a test pattern for screen test and problem identification.

- Output connector replacement

In case of screen mosaic, when a physical connector fails or is damaged, the output connector can be replaced through the software.

- Output connector copying

Each output connector has a corresponding backup connector which copies the data of the primary connector.

- Input source backup

You can establish hot backup settings for input sources. If the primary source loses its signal, the system automatically switches to the backup. You can also manually switch to the backup whenever necessary.

- Device backup

With device backup enabled, when a layer's input source is missing or has no signal, all output connectors for the screen immediately stop signal output, initiating a switch to the backup channel through coordination with the sending and receiving cards.

- Connector status monitoring

Visualized live monitoring of input and output connector statuses

- Multiple control options

- Front panel buttons and LCD
- Event controller U5/U5 Pro
- Event management software PixelFlow

Multiple switchers can be controlled simultaneously by PixelFlow.

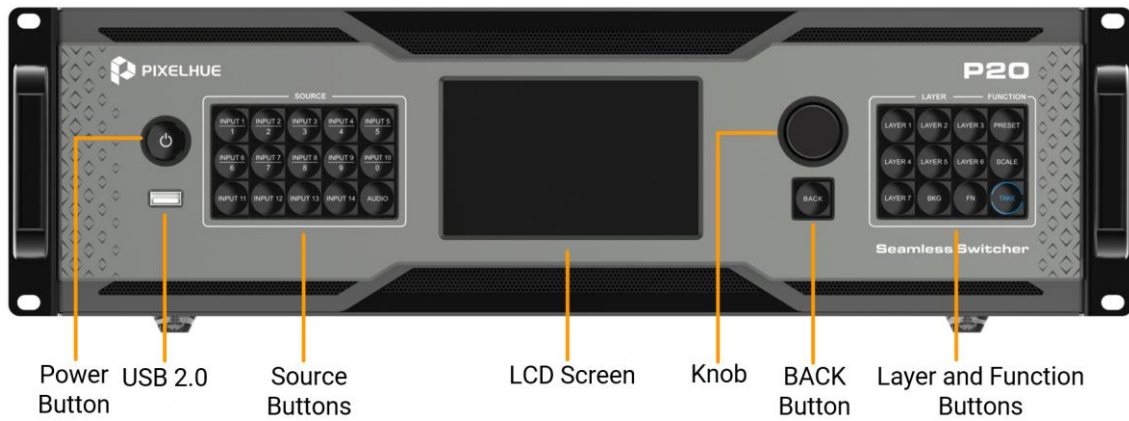
- Third-party control system Stream Deck (Companion integrated into the P20/P20-DS)
- Antistatic settings
 - Set the protection duration according to the actual static electricity, ensuring the display remains normal to keep events smooth and successful.
- The system has passed 24/7 stability tests and is proven to be stable and reliable.

Video Source

Input	Bit Depth	Sampling Format	Supported Resolutions	Supported Bandwidth
DP 1.2	8bit	RGB 4:4:4	4096×2160@60Hz	18Gbps
		YCbCr 4:4:4	8192×1080@60Hz	
		YCbCr 4:2:2		
	10bit	RGB 4:4:4	4096×2160@30Hz	
		YCbCr 4:4:4	4096×1080@60Hz	
		YCbCr 4:2:2	4096×2160@60Hz	
	12bit	RGB 4:4:4	4096×2160@30Hz	
		YCbCr 4:4:4	4096×1080@60Hz	
		YCbCr 4:2:2	4096×2160@60Hz	
HDMI 2.0	8bit	RGB 4:4:4	4096×2160@60Hz	18Gbps
		YCbCr 4:4:4	8192×1080@60Hz	
		YCbCr 4:2:2		
	10bit	RGB 4:4:4	4096×2160@30Hz	
		YCbCr 4:4:4	4096×1080@60Hz	
		YCbCr 4:2:2	4096×2160@60Hz	
	12bit	RGB 4:4:4	4096×2160@30Hz	
		YCbCr 4:4:4	4096×1080@60Hz	
		YCbCr 4:2:2	4096×2160@60Hz	
12G-SDI	10bit	YCbCr 4:2:2	4096×2160@60Hz	11.88Gbps

Appearance

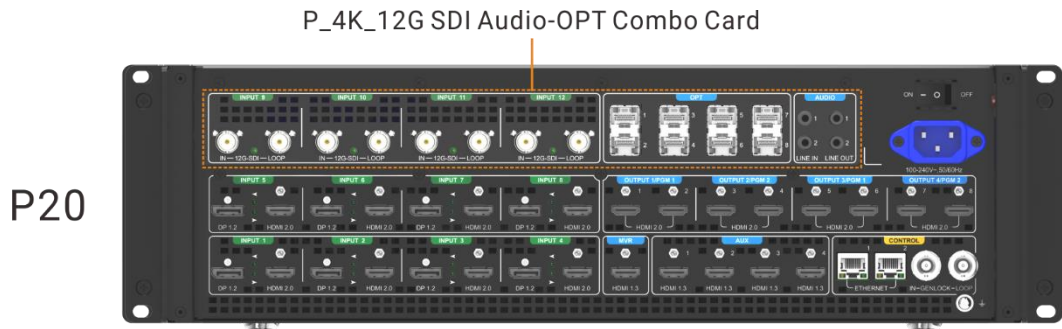
Front Panel



Name	Description
Power Button	Press the button to turn on/off the device. To turn off the device, press the button and select OK from the dialog box displayed on the LCD screen to confirm your operation. <ul style="list-style-type: none"> • Breathing dim white: The power supply is connected. • Bright white: The device is turned on.
USB 2.0	A Type-A USB 2.0 port is provided for updating device firmware, import and export project files, EDID files, BKG files, LOGO files and logs via USB drive.
Source Buttons	Press a button to access the input settings menu or select the source. These buttons can also be used to enter numbers. INPUT 1 to 14: <ul style="list-style-type: none"> • Dim white: No signal and not in use • Breathing blue: Signal accessed and not in use • Blue: In use AUDIO: The audio function will be implemented in future updates.
LCD Screen	A 5-inch graphical LCD screen is designed for displaying all the menus, submenus and messages.
Knob	<ul style="list-style-type: none"> • Rotate the knob to scroll up or down through the menus. • Press the knob to select menu items. • Press and hold the knob and BACK button simultaneously for 3s or longer to lock or unlock the front panel buttons.
BACK	<ul style="list-style-type: none"> • Press the BACK button to exit a menu without making changes, to cancel an operation, or to return to the home screen. Each press takes you back up the menu tree one level. • Press and hold the knob and BACK button simultaneously for 3s or longer to lock or unlock the front panel buttons.
Layer and Function Buttons	Layer buttons and shortcut buttons for the currently selected screen <ul style="list-style-type: none"> • LAYER: Press a button to open the layer and access the layer menu. Press and hold the button to close the layer. <ul style="list-style-type: none"> – Dim white: The layer is closed.

Name	Description
	<ul style="list-style-type: none"> - Bright blue: The layer is open. - Blinking blue: The layer is in edit mode. • PRESET: Press the button to access the preset settings menu. <ul style="list-style-type: none"> - Dim white: The preset settings menu is not displayed. - Blinking blue: The preset settings menu is displayed. • SCALE: Press the button to enable the full screen scaling of the layer at the back of the Z-order. <ul style="list-style-type: none"> Blinking blue: Full screen scaling is enabled successfully. • BKG: Press the button to enable BKG (there are pictures in the gallery). Press and hold the button to disable BKG. <ul style="list-style-type: none"> - Dim white: BKG is enabled. - Bright blue: BKG layer is disabled. • FN: This is a custom shortcut button and users can assign a function to it. <ul style="list-style-type: none"> When Freeze, FTB (Fade to Black) or Genlock synchronization is assigned, press the button to enable or disable the assigned function. <ul style="list-style-type: none"> - Dim white: The function is disabled. - Blue: The function is enabled. When Capture is assigned, press the button to access the Capture menu. <ul style="list-style-type: none"> - Dim white: The Capture menu is displayed. - Blinking blue: Capturing... • TAKE: Press the button to switch content from PVW to PGM with a specified transition effect. <ul style="list-style-type: none"> - Dim white: Content is not switched. - Blinking blue: Content is being switched.

Rear Panel



Name	Qty	Description	
P_4K_12G SDI Audio-OPT Combo Card (P20)			
12G-SDI IN & LOOP	4 groups	Standard	Support for ST-2082 (12G), ST-2081 (6G), ST-424 (3G), ST-292 (HD), and ST-259 (SD) video inputs
		Resolution	Up to 4096x2160@60Hz
		Frame rate	Up to 60Hz
		HDR	Not supported
		EDID management	Not supported
		Interlaced signal	Supported
OPT 1 to 8	4 groups	Optical fiber output ports for copying HDMI output images	
		4K <ul style="list-style-type: none"> Switcher mode <ul style="list-style-type: none"> OPT 1 copies the left half of the output image of HDMI 1. OPT 2 copies the right half of the output image of HDMI 1. OPT 3 copies the left half of the output image of HDMI 5. OPT 4 copies the right half of the output image of HDMI 1. OPT 5 copies the left half of the output image of HDMI 5. OPT 6 copies the right half of the output image of HDMI 5. OPT 7 copies the left half of the output image of HDMI 5. OPT 8 copies the right half of the output image of HDMI 5. PGM only mode 	

Name	Qty	Description	
		OPT 1 copies the left half of the output image of HDMI 1. OPT 2 copies the right half of the output image of HDMI 1. OPT 3 copies the left half of the output image of HDMI 3. OPT 4 copies the right half of the output image of HDMI 3. OPT 5 copies the left half of the output image of HDMI 5. OPT 6 copies the right half of the output image of HDMI 5. OPT 7 copies the left half of the output image of HDMI 7. OPT 8 copies the right half of the output image of HDMI 7.	
		DL <ul style="list-style-type: none"> Switcher and PGM only modes <ul style="list-style-type: none"> OPT 1 copies HDMI 1. OPT 2 copies HDMI 1. OPT 3 copies HDMI 3. OPT 4 copies HDMI 3. OPT 5 copies HDMI 5. OPT 6 copies HDMI 5. OPT 7 copies HDMI 7. OPT 8 copies HDMI 7. 	
LINE IN	2	3.5 mm dual-channel audio input jacks with a default sampling rate of 48kHz (to be implemented in future updates)	
LINE OUT	2	3.5 mm dual-channel audio output jacks with a default sampling rate of 48kHz (to be implemented in future updates)	
P_12G SDI_DANTE Audio-OPT Combo Card (P20-DS)			
12G-SDI INPUT	4	Standard	Support for ST-2082 (12G), ST-2081 (6G), ST-424 (3G), ST-292 (HD), and ST-259 (SD) video inputs
		Resolution	Up to 4096×2160@60Hz
		Frame rate	Up to 60Hz
		HDR	Not supported
		EDID management	Not supported
		Interlaced signal	Supported
		Embedded audio	Support for dual-channel embedded audio (24bit/48kHz)
12G-SDI OUTPUT	4	12G-SDI outputs for copying HDMI outputs	
		Standard	<ul style="list-style-type: none"> Compatible with SD-SDI, HD-SDI, 3G-SDI and 6G-SDI Support for ST-2082 (12G), ST-2081 (6G), ST-424 (3G), ST-292 (HD), and ST-259 (SD) video inputs
		Resolution	Up to 4096×2160@60Hz
		Frame rate	Up to 60Hz
		HDR	Not supported
		EDID management	Not supported
		Interlaced signal	Supported

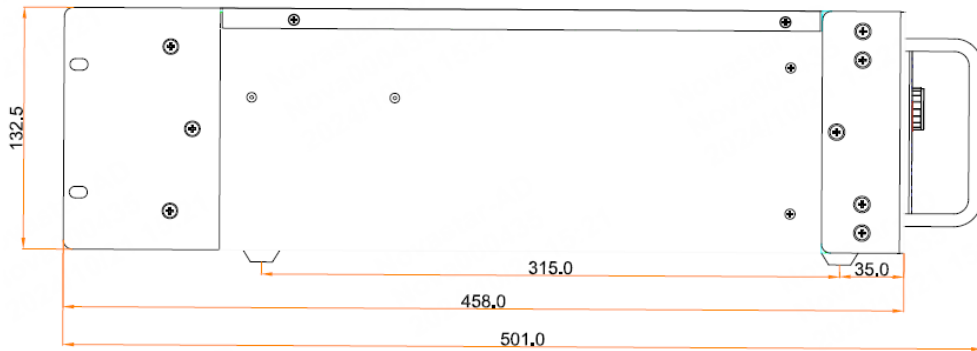
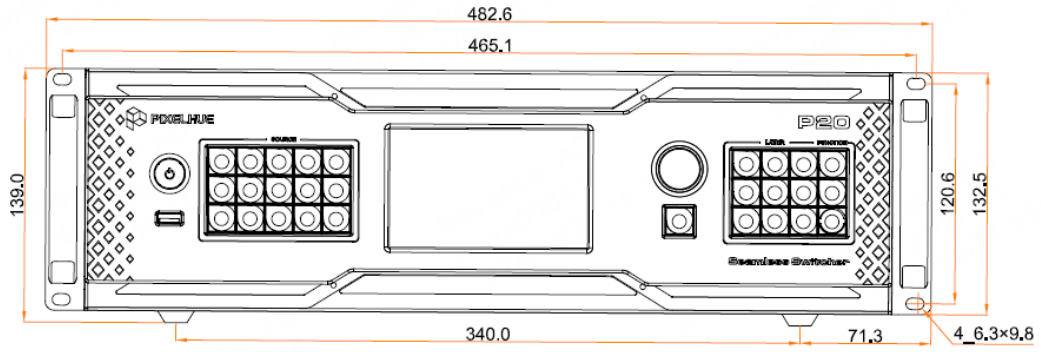
Name	Qty	Description	
		Embedded audio	Dual-channel (24bit/48kHz)
OPT 1 to 8	4 groups	Optical fiber output ports for copying HDMI outputs	
		4K <ul style="list-style-type: none"> • Switcher mode <p>OPT 1 copies the left half of the output image of HDMI 1. OPT 2 copies the right half of the output image of HDMI 1. OPT 3 copies the left half of the output image of HDMI 1. OPT 4 copies the right half of the output image of HDMI 1. OPT 5 copies the left half of the output image of HDMI 5. OPT 6 copies the right half of the output image of HDMI 5. OPT 7 copies the left half of the output image of HDMI 5. OPT 8 copies the right half of the output image of HDMI 5.</p> • PGM only mode <p>OPT 1 copies the left half of the output image of HDMI 1. OPT 2 copies the right half of the output image of HDMI 1. OPT 3 copies the left half of the output image of HDMI 3. OPT 4 copies the right half of the output image of HDMI 3. OPT 5 copies the left half of the output image of HDMI 5. OPT 6 copies the right half of the output image of HDMI 5. OPT 7 copies the left half of the output image of HDMI 7. OPT 8 copies the right half of the output image of HDMI 7.</p> 	
		DL <ul style="list-style-type: none"> • Switcher and PGM only modes <p>OPT 1 copies HDMI 1. OPT 2 copies HDMI 1. OPT 3 copies HDMI 3. OPT 4 copies HDMI 3. OPT 5 copies HDMI 5. OPT 6 copies HDMI 5. OPT 7 copies HDMI 7. OPT 8 copies HDMI 7.</p> 	
		Dual-channel embedded audio (24bit/48kHz)	
LINE IN	2	3.5 mm dual-channel audio input jacks with a default sampling rate of 48kHz	
LINE OUT	2	3.5 mm dual-channel audio output jacks with a default sampling rate of 48kHz	
Dante	2	<ul style="list-style-type: none"> • Dual redundancy Gigabit Ethernet ports • 32×32 Dante channels @48kHz 	
INPUT 1 to 8			
Each includes a DP 1.2/HDMI 2.0. When two connectors have signals, only one can be used as the input source at the same time.			
DP 1.2	8	Resolution	Max resolution: 4096×2160@60Hz/8192×1080@60Hz Min resolution: 800×600@60Hz

Name	Qty	Description	
		Max width/height	Max width: 8192 pixels (8192×1080@60Hz) Max height: 8186 pixels (1080×8186@60Hz)
		Frame rate	Up to 120Hz
		HDR	Not supported
		EDID management	Support for standard resolutions up to 8192×1080@60Hz Support for custom resolutions
		HDCP	HDCP 1.3 compliant
		Interlaced signal	Not supported
		Embedded audio	(P20-DS) Dual-channel embedded audio (24bit/48kHz)
HDMI 2.0	8	Resolution	Max resolution: 4096×2160@60Hz/8192×1080@60Hz Min resolution: 800×600@60Hz
		Max width/height	Max width: 8192 pixels (8192×1080@60Hz) Max height: 8186 pixels (1080×8186@60Hz)
		Frame rate	Up to 120 Hz
		HDR	Supported
		EDID management	Support for standard resolutions up to 3840×2160@60Hz Support for custom resolutions
		HDCP	HDCP 2.2 compliant and backward compatible
		Interlaced signal	Supported
		Embedded audio	(P20-DS) Dual-channel embedded audio (24bit/48kHz)
OUTPUT 1 to 4			
<ul style="list-style-type: none"> • 4K <ul style="list-style-type: none"> – In switcher mode, connectors 1 and 5 work as primary. Connectors 2, 3 and 4 copy connector 1, and connectors 6, 7 and 8 copy connector 5. The resolutions of connectors 1 and 5 can be set independently. – In PGM only mode, connectors 1, 3, 5 and 7 work as primary and connectors 2, 4, 6 and 8 copy connectors 1, 3, 5 and 7, respectively. Connector 1 and 3 are in the same group and connectors 5 and 7 are in the same group. Connectors in the same group have the same resolution. • DL <p>In both switcher and PGM only modes, connectors 1, 3, 5 and 7 work as primary, and connectors 2, 4, 6 and 8 copy connectors 1, 3, 5 and 7, respectively. Connector 1 and 3 are in the same group and connectors 5 and 7 are in the same group. Connectors in the same group have the same resolution.</p> <p>The output connectors of the P20-DS are divided into four groups and each group include two HDMI 2.0 connectors, one 12G-SDI connector, and two OPT ports:</p> <ul style="list-style-type: none"> • Group 1: HDMI 2.0 connectors 1 and 2, 12G-SDI connector 1, OPT ports 1 and 2 • Group 2: HDMI 2.0 connectors 3 and 4, 12G-SDI connector 2, OPT ports 3 and 4 • Group 3: HDMI 2.0 connectors 5 and 6, 12G-SDI connector 3, OPT ports 5 and 6 • Group 4: HDMI 2.0 connectors 7 and 8, 12G-SDI connector 4, OPT ports 7 and 8 <p>Connectors within the same group copy the output of one another. Group 2 copies group 1 and Group 4 copies group 3. When the HDMI 2.0 connector is set to a custom resolution, the 12G-SDI connector does not output.</p> 			

Name	Qty	Description	
HDMI 2.0	8	Resolution	Max resolution: 4096×2160@60Hz/8192×1080@60Hz Min resolution: 800×600@60Hz
		Max width/height	Max width: 8192 pixels (8192×1080@60Hz) Max height: 8186 pixels (1080×8186@60Hz)
		Frame rate	Up to 120Hz
		HDR	Supported
		EDID management	Support for standard resolutions up to 3840×2160@60Hz Support for custom resolutions
		HDCP	HDCP 2.2 compliant and backward compatible
		Interlaced signal	Supported
		Embedded audio	(P20-DS) Dual-channel embedded audio (24bit/48kHz)
MVR			
HDMI 1.3	1	Multiviewer output connector with a default resolution of 1920×1080@60Hz. The frame rate can be changed.	
AUX			
HDMI 1.3	4	AUX output connectors with a default resolution of 1920×1080@60Hz, a maximum resolution of 2048×1152@60Hz, and support for interlaced video signal output. Auxiliary devices such as teleprompters can be connected.	
CONTROL			
ETHERNET	2	<ul style="list-style-type: none"> • Used for control and input view. • One works as primary and the other as backup. • They have the same function and share the same IP address. 	
GENLOCK	1 group	Genlock synchronization signal connectors <ul style="list-style-type: none"> • IN: Synchronization signal input • LOOP: Synchronization signal loop output 	
Power			
100-240V~, 50/60Hz	1	Power connector and rocker switch <ul style="list-style-type: none"> • ON: Power on • OFF: Power off 	

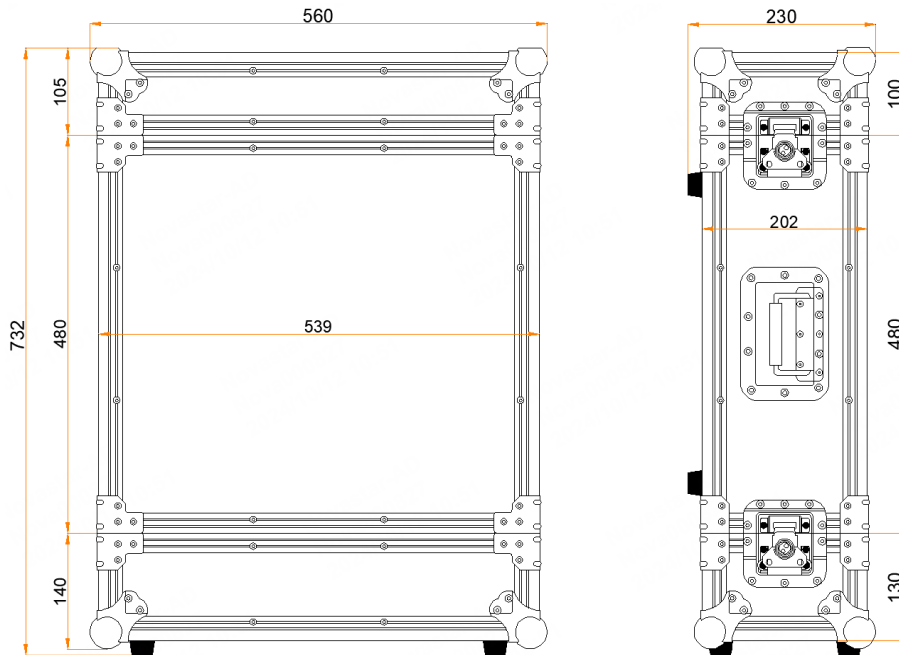
Dimensions

P20/P20-DS



Tolerance: ± 5 Unit: mm

Flight Case



Tolerance: ± 5 Unit: mm

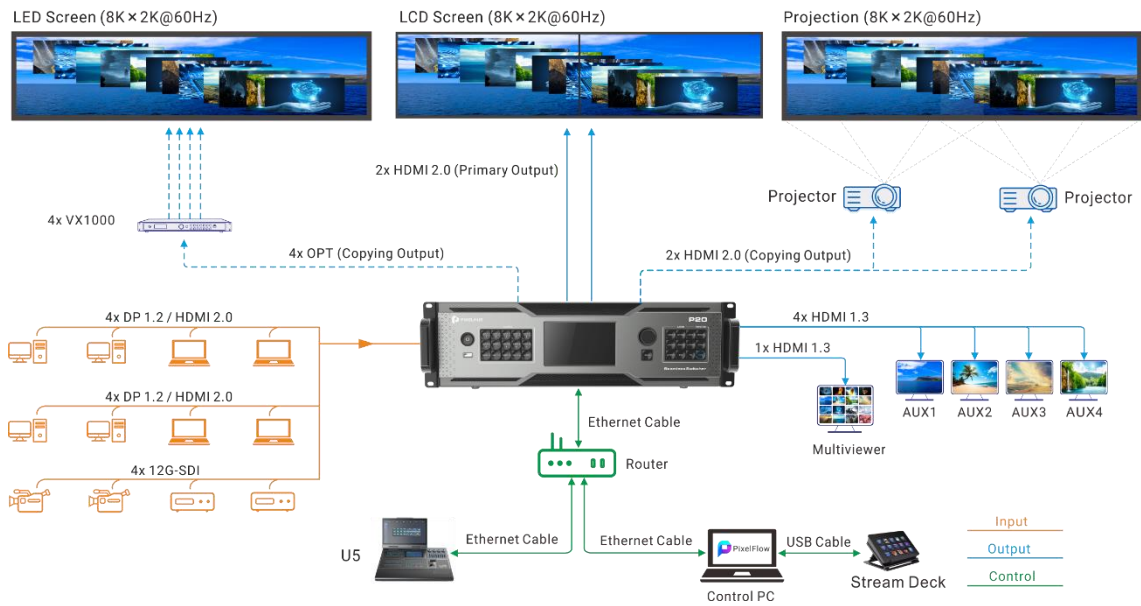
Notes

If you require detailed dimensions and drawings of the flight case, please contact PIXELHUE customer service team.

Applications

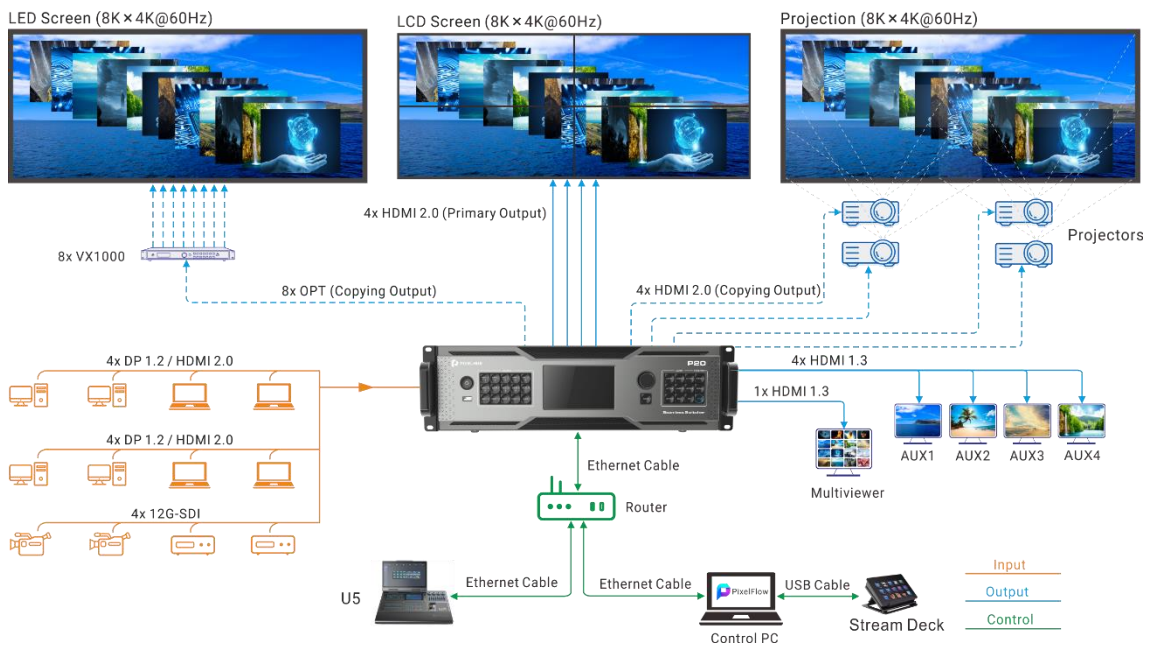
Switcher mode

When the output capacity is 4K, two output connectors work as primary and the other six work as backup. When the output capacity is DL, four output connectors work as primary and the other four work as backup. The P20/P20-DS can work with the U5 or U5 Pro event controller. The following takes the U5 as an example for illustration.



PGM Only Mode

When the output capacity is 4K, four output connectors work as primary and the other four work as backup. When the output capacity is DL, four output connectors work as primary and the other four work as backup. The P20/P20-DS can work with the U5 or U5 Pro event controller. The following takes the U5 as an example for illustration.



Specifications

Electrical Specifications	Power supply	100-240V~, 50/60Hz
	Max power consumption	P20: 140 W P20-DS: 160 W

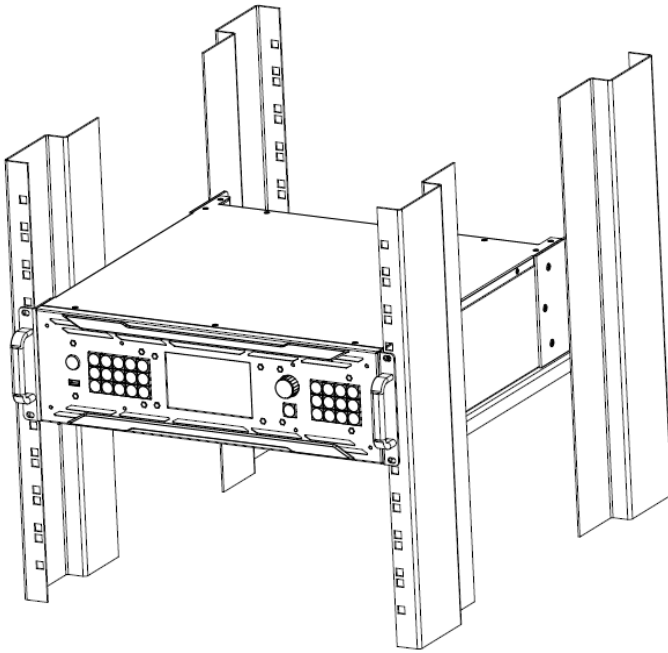
Operating Environment	Temperature	0°C to 50°C (32°F to 122°F)
	Humidity	0% RH to 80% RH, non-condensing
Storage Environment	Temperature	-20°C to +60°C (-4°F to 140°F)
	Humidity	0% RH to 95% RH, non-condensing
Physical Specifications	Dimensions	482.6 mm × 501.0 mm × 139.0 mm
	Net weight	P20: 10.2 kg / 22.5 lbs P20-DS: 10.7 kg/23.6 lbs
	Gross weight (packed with paper box)	P20: 14.3 kg / 31.5 lbs P20-DS: 14.8 kg/32.6 lbs Note: It is the total weight of the product, accessories, and packing materials packed with a paper box.
	Gross weight (packed with flight case)	P20: 25.2 kg / 55.6 lbs P20-DS: 25.7 kg/56.7 lbs Note: It is the total weight of the product, accessories, and packing materials packed with a flight case.
Packing Information	Paper box	635 mm × 595 mm × 283 mm
	Flight case	560 mm × 230 mm × 732 mm
	Accessories	<ul style="list-style-type: none"> • 1x Power cable • 1x Ethernet cable • 1x HDMI cable • 1x DP cable • 1x Customer Letter • 1x Quick Start Guide • 1x Safety Manual • 1x Certificate of Approval
Noise (Typical at 25°C/77°F)	45.6 dB (A)	

The amount of power consumption may vary depending on various factors such as product settings, usage, and environment.

Notes and Cautions

Notes for Installation

When the product needs to be installed on the rack, 4 screws at least M5*12 should be used to fix it. The rack for installation shall bear at least 41.0kg weight.



- Elevated Operating Ambient - If installed in a closed or multi-unit rack assembly, the operating ambient temperature of the rack environment may be greater than room ambient. Therefore, consideration should be given to installing the equipment in an environment compatible with the maximum ambient temperature (T_{ma}) specified by the manufacturer.
- Reduced Air Flow – Installation of the equipment in a rack should be such that the amount of air flow required for safe operation of the equipment is not compromised.
- Mechanical Loading – Mounting of the equipment in the rack should be such that a hazardous condition is not achieved due to uneven mechanical loading.
- Circuit Overloading – Consideration should be given to the connection of the equipment to the supply circuit and the effect that overloading of the circuits might have on overcurrent protection and supply wiring. Appropriate consideration of equipment nameplate ratings should be used when addressing this concern.
- Reliable Earthing – Reliable earthing of rack-mounted equipment should be maintained. Particular attention should be given to supply connections other than direct connections to the branch circuit (e.g. use of power strips).

FCC Caution

Any changes or modifications not expressly approved by the party responsible for compliance could void the user's authority to operate the equipment.

This device complies with part 15 of the FCC Rules. Operation is subject to the following two conditions: (1) This device may not cause harmful interference, and (2) this device must accept any interference received, including interference that may cause undesired operation.

Note: This equipment has been tested and found to comply with the limits for a Class A digital device, pursuant to part 15 of the FCC Rules. These limits are designed to provide reasonable protection against harmful interference when the equipment is operated in a commercial environment. This equipment generates, uses, and can radiate radio frequency energy and, if not installed and used in accordance with the instruction manual, may cause harmful interference to radio communications. Operation of this equipment in a residential area is likely to cause harmful interference in which case the user will be required to correct the interference at his own expense.

Others

This is Class A product. In a domestic environment, this product may cause radio interference in which case the user may be required to take adequate measures.

This product can only be placed horizontally. Do not mount vertically or upside-down.

Copyright

Copyright © 2025 Pixelhue Technology Ltd. All Rights Reserved.

No part of this document may be copied, reproduced, extracted or transmitted in any form or by any means without the prior written consent of Pixelhue Technology Ltd (hereinafter referred to as PIXELHUE).

Trademarks

 **PIXELHUE** is a trademark of Pixelhue Technology Ltd.

Brand and product names mentioned in this manual may be trademarks, registered trademarks or copyrights of their respective holders.

Statement

Thank you for choosing PIXELHUE products. This document is intended to help you understand and use the products. PIXELHUE may make improvements and/or changes to this document at any time and without prior notice. If you experience any problems in use or have any suggestions, please contact us via the contact information given in this document. We will do our best to solve any issues, as well as evaluate and implement any suggestions.

This document could contain technical inaccuracies or typographical errors. Changes are periodically made to the information in this document; these changes are incorporated in new editions of this document.

The latest edition of user manuals can be downloaded from the PIXELHUE website www.pixelhue.com.

| [Official website](http://www.pixelhue.com)
| www.pixelhue.com

| [Technical support](mailto:service@pixelhue.com)
| service@pixelhue.com