

EPSON

EB-PQ2220B

EB-PQ2216B EB-PQ2216W

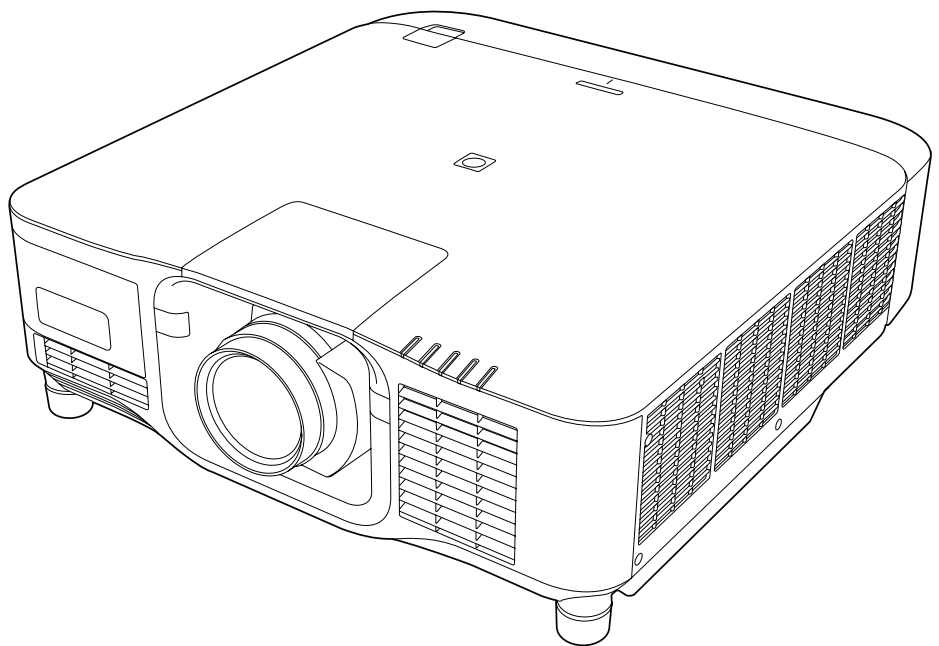
EB-PQ2213B

CB-PQ2220B

CB-PQ2216B CB-PQ2216W

CB-PQ2213B

Specifications



Contents

■ Projector Specifications	3
■ Optional Accessories Specifications	5
■ Projector Parts - Interface	10
■ Supported Monitor Display Resolutions	11
■ File Formats Supported in Content Playback Mode	16
■ External Dimensions	17
■ Precautions on Installation	23
■ Screen Size and Projection Distance	25
■ Remote Control Operation	37
■ Keystone Correction Range	38
■ Curved Surface Correction Range for Camera Assist	42
■ Monitoring and Controlling the Projector	44
■ ESC/VP21 Command List	45
■ Cable Layouts	46
■ PJLink Command List	47
■ Art-Net Channel Specifications	49
■ Getting the Latest Version of the Documents	54
■ Trademarks	54
■ Copyright Notice	54
■ Disclaimer	54
■ Copyright Attribution	54

■ Projector Specifications

Item	EB-PQ2220B CB-PQ2220B	EB-PQ2216B EB-PQ2216W CB-PQ2216B CB-PQ2216W	EB-PQ2213B CB-PQ2213B
Dimensions	586 (W) × 185 (H) × 492 (D) mm (not including raised section)		
Projection system	3LCD		
LCD panel size (diagonal)	1.04"		
Display method	Poly-silicon TFT active matrix		
Number of pixels	Full HD (1,920 (W) × 1,080 (H) dots) × 3		
Resolution	8,294,400 dots (1,920 × 1,080 × 4)		
Focus adjustment	Powered		
Zoom adjustment *2	1.0 to 1.6 (Optical Zoom)		
F-Number *2	1.8 to 2.3		
Focal length *2	36.0 to 57.3 mm		
Projection lens	Optional lens supported. Standard lens: ELPLM15		
Lens Shift *2	Powered Maximum vertical direction: Approx. ± 64% Maximum horizontal direction: Approx. ± 16%		
Light source	Laser diode		
Wavelength	449 to 461 nm		
Light source output power	Up to 48.5 W × 12 (582 W)	Up to 48.5 W × 9 (436.5W)	Up to 48.5 W × 7 (339.5 W)
Laser class (internal laser light source)	Class 4		
Light source operation time *1	Light Source Mode: Normal, Quiet: Up to about 20,000 hours Light Source Mode: Extended: Up to about 30,000 hours		
Brightness *2*4	Light Source Mode: Normal: 20,000 lm Light Source Mode: Quiet, Extended: 14,000 lm	Light Source Mode: Normal: 16,000 lm Light Source Mode: Quiet, Extended: 11,200 lm	Light Source Mode: Normal: 13,000 lm Light Source Mode: Quiet, Extended: 9,100 lm
Contrast ratio *4	5,000,000:1 exceeded (Dynamic Contrast Normal/High Speed)		
Color reproducibility	Up to 1,070 million colors (Depends on the interface)		
Scanning frequency	HDMI 1/2: Horizontal: 26.97 to 135 kHz Vertical: 23.98/24/25/29.97/30/50/59.94/60 Hz HDBaseT: Horizontal: 26.97 to 135 kHz Vertical: 23.98/24/25/29.97/30/50/59.94/60 Hz SDI: Horizontal: 26.97 to 135 kHz Vertical: 23.98/24/25/29.97/30/50/59.94/60 Hz		
Speaker	-		
Power supply	100 - 120 VAC 50/60 Hz 12.0 A 100 - 240 VAC 50/60 Hz 7.3 A	100 - 120 VAC 50/60 Hz 12.0 A 200 - 240 VAC 50/60 Hz 5.7 A	100 - 240 VAC ± 10% 50/60 Hz 9.6-4.3 A
Operating power consumption (100 to 120 V area)	Light Source Mode: Normal, Custom: 1,193 W Light Source Mode: Quiet, Extended: 1,002 W	Light Source Mode: Normal, Custom: 1,193 W Light Source Mode: Quiet, Extended: 800 W	Light Source Mode: Normal, Custom: 951 W Light Source Mode: Quiet, Extended: 680 W
Operating power consumption (220 to 240 V area)	Light Source Mode: Normal, Custom: 1,431 W Light Source Mode: Quiet, Extended: 975 W	Light Source Mode: Normal, Custom: 1,114 W Light Source Mode: Quiet, Extended: 784 W	Light Source Mode: Normal, Custom: 925 W Light Source Mode: Quiet, Extended: 666 W
Standby power consumption	Communication On: 2.0 W Communication Off: 0.4 W (100 - 120 V area), 0.5 W (220 - 240 V area)		
Noise Level *4	Light Source Mode: Normal: 48 dB Light Source Mode: Quiet: 39 dB	Light Source Mode: Normal: 44 dB Light Source Mode: Quiet: 36 dB	Light Source Mode: Normal: 37 dB Light Source Mode: Quiet: 34 dB (36 dB use ELPLX02 only)
Thermal output (max.)	100 to 120 V area: 4,056 BTU/h 220 to 240 V area: 4,865 BTU/h	100 to 120 V area: 4,056 BTU/h 220 to 240 V area: 3,788 BTU/h	100 to 120 V area: 3,233 BTU/h 220 to 240 V area: 3,145 BTU/h

Item	EB-PQ2220B CB-PQ2220B	EB-PQ2216B EB-PQ2216W CB-PQ2216B CB-PQ2216W	EB-PQ2213B CB-PQ2213B
Air flow (max.)	354 CFM		
Operating altitude	Altitude of 0 to 3,048 m		
Operating temperature (when using a single projector installation)* 3	Altitude of 0 to 2,286 m: 0 to +50° C (Humidity of 20 to 80%, No condensation) Altitude of 2,287 to 3,048 m: 0 to +45° C (Humidity of 20 to 80%, No condensation)		
Storage temperature	-10 to +60° C (Humidity of 10 to 90%, No condensation)		
Mass (not including lens)	Approx. 29.2 kg		Approx. 28.8 kg
Network	RJ45 (100BASE-TX/10BASE-T) × 1, USB connector (A type) × 1 (wireless LAN unit ELPAP11 Corresponding to IEEE802.11a(5 GHz)/b(2.4 GHz)/g(2.4 GHz)/n(2.4 GHz, 5 GHz) IEEE 802.11ac (5 GHz))		

*1 Approximate time until the light source brightness decreases to half of its original value. (Assuming the projector is being used in an environment containing airborne particles of 0.04 mg/m³ or less. This is an approximate guide only and may change depending on the projector's usage and surroundings.)

*2 The specifications are when the standard lens is attached.

*3 Light source brightness automatically dims if the surrounding temperature gets too high. (Approximately 40° C at an altitude of 0 to 2,286 m, and approximately 35° C at an altitude of 2,287 to 3,048 m; however, this may vary depending on the surrounding environment.)

*4 All average values for this product at time of shipping comply with the ISO 21118 international standards.

This product is also designed for IT power distribution system with phase-to-phase voltage 230V.

■ Optional Accessories Specifications

The following sections explain the specifications of the optional accessories.

Lens Compatibility Table

Lens Model Number	Projector Model Number			
	EB-PQ2220B EB-PQ2216B EB-PQ2216W EB-PQ2213B CB-PQ2220B CB-PQ2216B CB-PQ2216W CB-PQ2213B	EB-PQ2010B EB-PQ2010W EB-PQ2008B EB-PQ2008W CB-PQ2010B CB-PQ2008B CB-PQ2008W	EB-PU2010B EB-PU2010W CB-PU2010B CB-PU2010W	EB-PU1008B EB-PU1008W EB-PU1007B EB-PU1007W CB-PU1008B CB-PU1008W CB-PU1007B CB-PU1007W
ELPLX01 ELPLX01W ELPLX01S ELPLX01WS	-	-	-	✓
ELPLX02 ELPLX02W ELPLX02S ELPLX02WS	✓	✓	✓	-
ELPLU03	✓	✓	✓	✓
ELPLU03S	✓	✓	✓	✓
ELPLU04	✓	✓	✓	✓
ELPLW05	✓	✓	✓	✓
ELPLW08	✓	✓	✓	✓
ELPLW06	✓	✓	✓	✓
ELPLM08	✓	✓	✓	✓
ELPLM09	✓	✓	✓	✓
ELPLM15	✓	✓	✓	✓
ELPLM10	✓	✓	✓	✓
ELPLM11	✓	✓	✓	✓
ELPLL08	✓	✓	✓	✓
ELPLU02	-	-	✓	✓
ELPLR04	-	-	✓	✓
ELPLW04	-	-	✓	✓
ELPLS04	-	-	✓	✓
ELPLM06	-	-	✓	✓
ELPLM07	-	-	✓	✓
ELPLL07	-	-	✓	✓

Lens Specifications

Lens Model Number	Projector Size when Lens Installed D (mm)	Amount of Lens Protrusion (mm)	Lens Diameter (mm)	Lens Mass (g)	F Value	f (mm)	Zoom Rate
ELPLX02 ELPLX02W ELPLX02S ELPLX02WS	560	68	-	5000	1.9	8.0	-
ELPLU03	552	60	φ 149.9	1800	2.0 - 2.3	11.1 - 13.1	1.2
ELPLU03S	552	60	φ 149.9	2300	2.0 - 2.3	11.1 - 13.1	1.2
ELPLU04	581	89	φ 150	3100	2.0 - 2.1	14.8 - 17.7	1.2
ELPLW05	521	29	φ 135	1450	2.0 - 2.2	17.6 - 24.3	1.4
ELPLW08	581	89	φ 138.5	3050	2.0 - 2.2	19.7 - 27.5	1.4
ELPLW06	551	59	φ 129.8	2950	1.8 - 2.3	27.3 - 37.0	1.4
ELPLM08	511	19	φ 114.9	1200	1.7 - 2.3	24.0 - 38.2	1.6

Lens Model Number	Projector Size when Lens Installed D (mm)	Amount of Lens Protrusion (mm)	Lens Diameter (mm)	Lens Mass (g)	F Value	f (mm)	Zoom Rate
ELPLM09 ELPLM15	518	26	φ 104.6	1900	1.8 - 2.3	36.0 - 57.4	1.6
ELPLM10	561	69	φ 104.6	2200	1.8 - 2.4	55.4 - 83.3	1.5
ELPLM11	568	76	φ 104	2200	1.8 - 2.4	80.6 - 121.1	1.5
ELPLL08	566	74	φ 104	2200	1.8 - 2.5	119.0 - 165.4	1.4

Light Output

Power Supply: 200-240V

Lens Model Number	EB-PQ2220B CB-PQ2220B		EB-PQ2216B/EB-PQ2216W CB-PQ2216B/CB-PQ2216W		EB-PQ2213B CB-PQ2213B	
	Light Output (lm)	Brightness Limit (%)	Light Output (lm)	Brightness Limit (%)	Light Output (lm)	Brightness Limit (%)
ELPLX02 ELPLX02W ELPLX02S ELPLX02WS	16,900	100	13,500	100	11,000	100
ELPLU03 *	12,000	70	12,000	88	11,100	100
ELPLU03S	17,100	100	13,700	100	11,100	100
ELPLU04	18,900	100	15,100	100	12,300	100
ELPLW05 *	12,000	69	12,000	86	11,400	100
ELPLW08	19,000	100	15,200	100	12,300	100
ELPLW06	19,100	100	15,300	100	12,400	100
ELPLM08 *	10,000	52	10,000	65	10,000	80
ELPLM09 *	12,000	60	12,000	75	12,000	92
ELPLM15	20,000	100	16,000	100	13,000	100
ELPLM10	19,800	100	15,800	100	12,800	100
ELPLM11	19,000	100	15,200	100	12,300	100
ELPLL08	19,000	100	15,200	100	12,300	100

Power Supply: 100-120V

Lens Model Number	EB-PQ2220B CB-PQ2220B		EB-PQ2216B/EB-PQ2216W CB-PQ2216B/CB-PQ2216W	
	Light Output (lm)	Brightness Limit (%)	Light Output (lm)	Brightness Limit (%)
ELPLX02 ELPLX02W ELPLX02S ELPLX02WS	13,500	80	13,100	97
ELPLU03 *	12,000	70	12,000	88
ELPLU03S	13,700	80	13,300	97
ELPLU04	15,100	80	14,600	97
ELPLW05 *	9,600	69	12,000	86
ELPLW08	15,200	80	14,700	97
ELPLW06	15,300	80	14,800	97
ELPLM08 *	10,000	52	10,000	65
ELPLM09 *	12,000	60	12,000	75
ELPLM15	16,000	80	15,500	97

Lens Model Number	EB-PQ2220B CB-PQ2220B		EB-PQ2216B/EB-PQ2216W CB-PQ2216B/CB-PQ2216W	
	Light Output (lm)	Brightness Limit (%)	Light Output (lm)	Brightness Limit (%)
ELPLM10	15,800	80	15,300	97
ELPLM11	15,200	80	14,700	97
ELPLL08	15,200	80	14,700	97

* When you use this lens, "Light Source Mode" is automatically set to "Custom" and the maximum brightness is limited.

Lens Function Table

Lens Model Number	Function						
	Powered Zoom	Powered Focus	Powered Distortion	Powered Lens Shift	Lens Memory	Lens Type Recognition	Camera Assist
ELPLX02 ELPLX02W	-	✓	✓	✓	✓	✓	-
ELPLX02S ELPLX02WS	-	✓	✓	✓	✓	✓	✓
ELPLU03 ELPLU03S	✓	✓	✓	✓	✓	✓	✓
ELPLU04	✓	✓	✓	✓	✓	✓	✓
ELPLW05	✓	✓	✓	✓	✓	✓	✓
ELPLW08	✓	✓	✓	✓	✓	✓	✓
ELPLW06	✓	✓	-	✓	✓	✓	✓
ELPLM08	✓	✓	-	✓	✓	✓	✓
ELPLM09	✓	✓	-	✓	✓	✓	✓
ELPLM15	✓	✓	-	✓	✓	✓	✓
ELPLM10	✓	✓	-	✓	✓	✓	✓
ELPLM11	✓	✓	-	✓	✓	✓	✓
ELPLL08	✓	✓	-	✓	✓	✓	-

External Camera Correspondence Table

Lens Model Number	Function				
	Blending (flat screen/concave screen/convex screen)	Stacking (flat screen/concave screen/convex screen)	Color Calibration (flat screen/concave screen/convex screen)	Screen Matching (flat screen/concave screen)	Remote camera access
ELPLX02S ELPLX02WS	✓	✓	✓	✓	✓
ELPLU03	✓	✓	✓	✓	✓
ELPLU03S	✓	✓	✓	✓	✓
ELPLU04	✓	✓	✓	✓	✓
ELPLW05	✓	✓	✓	✓	✓
ELPLW08	✓	✓	✓	✓	✓
ELPLW06	✓	✓	✓	✓	✓
ELPLM09	✓	✓	✓	✓	✓
ELPLM15	✓	✓	✓	✓	✓

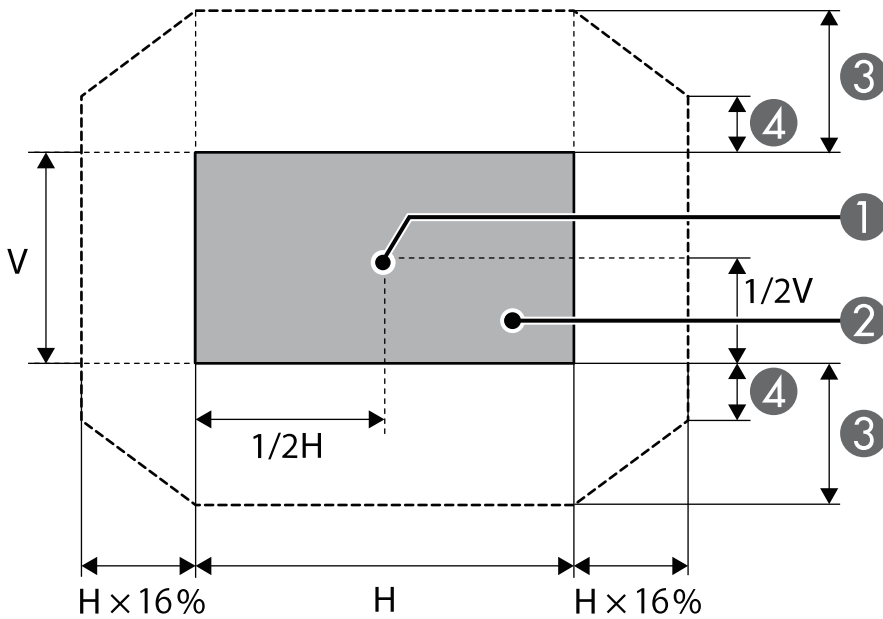
Lens Model Number	Function				
	Blending (flat screen/concave screen/convex screen)	Stacking (flat screen/concave screen/convex screen)	Color Calibration (flat screen/concave screen/convex screen)	Screen Matching (flat screen/concave screen)	Remote camera access
ELPLM10	✓	✓	✓	✓	✓
ELPLM11	✓	✓	✓	✓	✓
ELPLL08	-	-	-	-	-

Available Lens Shift Adjustment Range

The ranges within which the image can be moved are shown below.

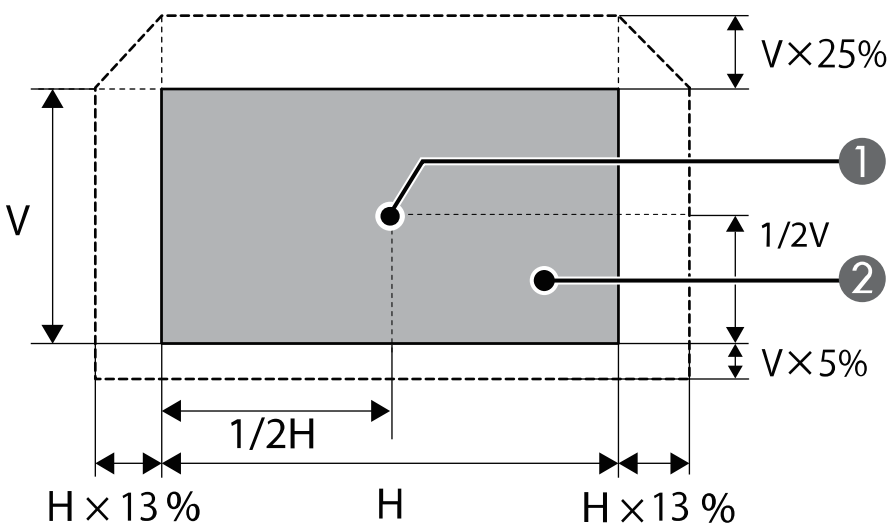
The position of the projected image cannot be moved to both the horizontal and vertical maximum values.

When using ELPLU04/ELPLW08/ELPLW06/ELPLM09/ELPLM15/ELPLM10/ELPLM11/ELPLL08



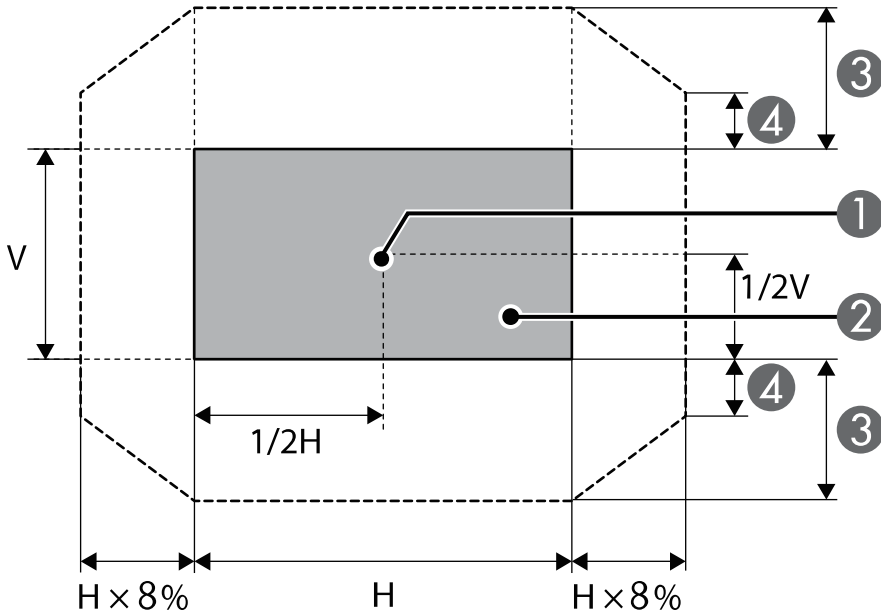
- ① Center of projected image
- ② Projected image when the lens position is moved to the home position
- ③ Maximum motion range: $V \times 64\%$
- ④ When the horizontal direction is at the maximum value: $V \times 33\%$

When using ELPLX02S/ELPLX02WS/ELPLX02/ELPLX02W



- ① Center of projected image
- ② Projected image when the lens position is moved to the home position

When using ELPLU03/ELPLU03S/ELPLW05/ELPLM08



- ① Center of projected image
- ② Projected image when the lens position is moved to the home position
- ③ Maximum motion range: $V \times 25\%$
- ④ When the horizontal direction is at the maximum value: $V \times 0\%$

Mounts Specifications

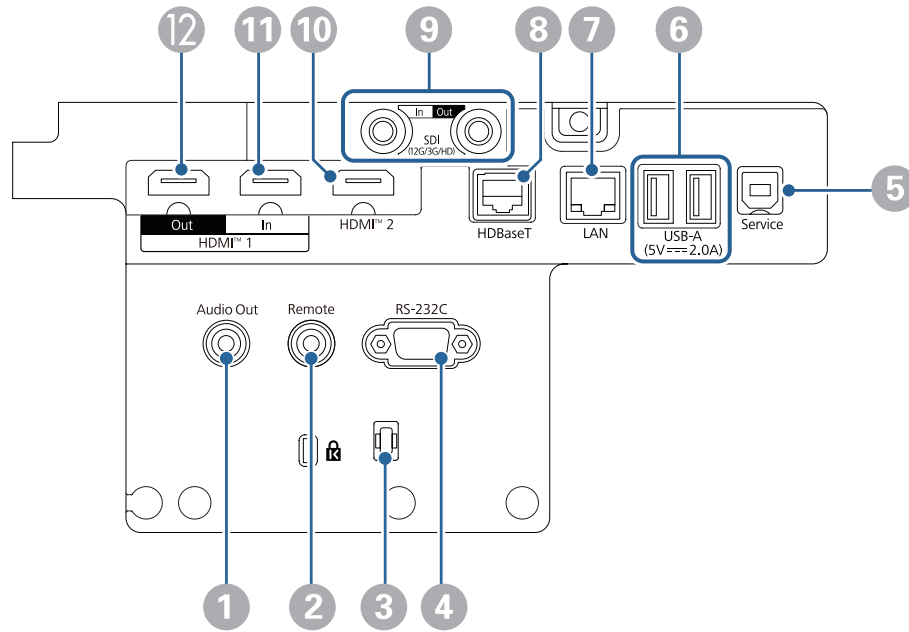
Product name	Dimensions	Weight	Maximum load capacity	Adjustment range
Ceiling Mount ELPMB67 *	356 (W) × 124 (H) × 330 (D) mm	Approx. 5.7 kg	Approx. 40 kg	Vertical tilt -15 to 5° Horizontal tilt ± 5° Horizontal rotation ± 5° Front/rear slide ± 36 mm
Ceiling Mount ELPMB48 *	400 (W) × 428 (H) × 330 (D) mm	Approx. 16 kg	Approx. 75 kg	Vertical tilt -25 to 5° Horizontal tilt ± 5° Horizontal rotation ± 5° Front/rear slide ± 30 mm
Ceiling Mount ELPMB47 *	400 (W) × 124 (H) × 330 (D) mm	Approx. 11 kg	Approx. 75 kg	Vertical tilt ± 5° Horizontal tilt ± 5° Horizontal rotation ± 5° Front/rear slide ± 30 mm
Suspension Adapter ELPFP15	Φ 270 × 352 mm	Approx. 4.4 kg	-	460 to 680 mm Used with ceiling mount (ELPMB67)

* Special expertise is required to suspend the projector from a ceiling. Contact Epson for help.

External Devices Specifications

Product name	Dimensions	Weight	Specifications
External camera ELPEC01	103 (W) × 49 (H) × 47 (D) mm	Approx. 150 g	Image sensor: CMOS Sensor size: 1/2.9 inches Resolution: 2 million pixels Frame rate: 15 fps AC Voltage: 5V (USB power supply) Power consumption (while operating): less than 1.5 W (300 mA)
Wireless LAN unit ELPAP11	24 (W) × 10 (H) × 61 (D) mm	Approx. 11 g	Electrical rating: DC 5 V, 500 mA

■ Projector Parts - Interface



No.	Name	Note
①	Audio Out port (Stereo mini pin jack)	Outputs audio from the current input source to an external speaker.
②	Remote port (Stereo mini pin jack)	Connects the remote control to the projector using the optional remote control cable set and inputs signals from the remote control. When the remote control is connected, the remote receiver on the projector is disabled.
③	Cable holder	Pass a commercially available cable tie through here to secure cables.
④	RS-232C port (Mini D-Sub 9-pin, male)	Use to connect an RS-232C cable to control the projector from a computer.
⑤	Service port (USB connector Type B)	This port is used for batch settings and firmware update.
⑥	USB-A port (USB connector Type A)	This port is used for batch settings and firmware update. This projector can be powered at 5 V/2 A.
⑦	LAN port (RJ-45)	Use a 100Base-TX or 10Base-T network cable. To ensure proper data transmission, use a Category 5 shielded cable or better.
⑧	HDBaseT port (RJ-45)	You can use a network cable up to 100 m in length. To ensure proper data transmission, use a Category 5e STP cable or better. However, operation is not guaranteed for all input/output devices and environments. This port is compatible with HDCP2.3.
⑨	SDI In port (BNC)	Inputs video signals from SDI compatible video equipment.
	SDI Out port (BNC)	Outputs video signals input from the SDI In port to an external monitor.
⑩	HDMI2 port (HDMI)	Inputs video signals from HDMI compatible video equipment and computers. This port is compatible with HDCP2.3. (Audio is only supported by PCM)
⑪	HDMI1 In port (HDMI)	Inputs video signals from HDMI compatible video equipment and computers. This port is compatible with HDCP2.3. (Audio is only supported by PCM)
⑫	HDMI1 Out port (HDMI)	Outputs signals to an external monitor or another projector. This port is compatible with HDCP2.3.

■ Supported Monitor Display Resolutions

The table here lists the compatible refresh rate and resolution for each compatible video display format.

HDMI

Signal Information				HDMI												
Mode	Resolution	Refresh Rate [Hz]	Link	YCbCr									RGB			
				4:2:0			4:2:2			4:4:4			RGB			
				8	10	12	8	10	12	8	10	12	8	10	12	
PC	640 x 480	59.94p	Single	-	-	-	-	-	-	-	-	-	-	✓	-	-
PC	800 x 600	60.32p	Single	-	-	-	-	-	-	-	-	-	-	✓	-	-
PC	1024 x 768	60p	Single	-	-	-	-	-	-	-	-	-	-	✓	-	-
PC	1280 x 800	59.81p	Single	-	-	-	-	-	-	-	-	-	-	✓	-	-
PC	1280 x 960	60p	Single	-	-	-	-	-	-	-	-	-	-	✓	-	-
PC	1280 x 1024	60.02p	Single	-	-	-	-	-	-	-	-	-	-	✓	-	-
PC	1366 x 768	59.79p	Single	-	-	-	-	-	-	-	-	-	-	✓	-	-
PC	1400 x 1050	59.98p	Single	-	-	-	-	-	-	-	-	-	-	✓	-	-
PC	1440 x 900	59.89p	Single	-	-	-	-	-	-	-	-	-	-	✓	-	-
PC	1600 x 900	60p	Single	-	-	-	-	-	-	-	-	-	-	✓	-	-
PC	1600 x 1200	60p	Single	-	-	-	-	-	-	-	-	-	-	✓	-	-
PC	1680 x 1050	59.95p	Single	-	-	-	-	-	-	-	-	-	-	✓	-	-
PC	1920 x 1200	59.95p	Single	-	-	-	-	-	-	-	-	-	-	✓	-	-
PC	2048 x 1536	59.95p	Single	-	-	-	-	-	-	-	-	-	-	✓	-	-
PC	2560 x 1440	59.95p	Single	-	-	-	-	-	-	-	-	-	-	✓	-	-
PC	2560 x 1600	59.97p	Single	-	-	-	-	-	-	-	-	-	-	✓	-	-
PC	1920 x 720	60p	Single	-	-	-	-	-	-	-	-	-	-	✓	-	-
PC	1920 x 810	60p	Single	-	-	-	-	-	-	-	-	-	-	-	-	-
PC	2880 x 1080	60p	Single	-	-	-	-	-	-	-	-	-	-	✓	-	-
PC	3200 x 900	60p	Single	-	-	-	-	-	-	-	-	-	-	✓	-	-
PC	3240 x 1080	60p	Single	-	-	-	-	-	-	-	-	-	-	✓	-	-
PC	3440 x 1440	30p	Single	-	-	-	-	-	-	-	-	-	-	✓	-	-
PC	3456 x 1080	30p	Single	-	-	-	-	-	-	-	-	-	-	✓	-	-
PC	3456 x 1080	60p	Single	-	-	-	-	-	-	-	-	-	-	✓	-	-
Video	720 x 480	59.94p	Single	-	-	-	✓	✓	✓	✓	✓	✓	✓	✓	✓	✓
Video	720 x 576	50p	Single	-	-	-	✓	✓	✓	✓	✓	✓	✓	✓	✓	✓
Video	1280 x 720	50p	Single	-	-	-	✓	✓	✓	✓	✓	✓	✓	✓	✓	✓
Video	1280 x 720	59.94p	Single	-	-	-	✓	✓	✓	✓	✓	✓	✓	✓	✓	✓
Video	1280 x 720	60p	Single	-	-	-	✓	✓	✓	✓	✓	✓	✓	✓	✓	✓
Video *1	720 x 480	59.94i	Single	-	-	-	-	-	-	-	-	-	-	-	-	-
Video *1	720 x 576	50i	Single	-	-	-	-	-	-	-	-	-	-	-	-	-
Video	1920 x 1080	23.98p	Single	-	-	-	✓	✓*A	✓*A	✓	✓*A	✓*A	✓	✓*A	✓*A	✓*A
Video	1920 x 1080	24p	Single	-	-	-	✓	✓*A	✓*A	✓	✓*A	✓*A	✓	✓*A	✓*A	✓*A
Video	1920 x 1080	25p	Single	-	-	-	-	-	-	-	-	-	-	-	-	-
Video	1920 x 1080	29.97p	Single	-	-	-	✓	✓*A	✓*A	✓	✓*A	✓*A	✓	✓*A	✓*A	✓*A
Video	1920 x 1080	30p	Single	-	-	-	✓	✓*A	✓*A	✓	✓*A	✓*A	✓	✓*A	✓*A	✓*A
Video	1920 x 1080	50p	Single	-	-	-	✓	✓*A	✓*A	✓	✓*A	✓*A	✓	✓*A	✓*A	✓*A
Video	1920 x 1080	59.94p	Single	-	-	-	✓	✓*A	✓*A	✓	✓*A	✓*A	✓	✓*A	✓*A	✓*A
Video	1920 x 1080	60p	Single	-	-	-	✓	✓*A	✓*A	✓	✓*A	✓*A	✓	✓*A	✓*A	✓*A
Video	1920 x 1080	50i	Single	-	-	-	✓*2	✓*2	✓*2	✓*2	✓*2	✓*2	✓*2	✓*2	✓*2	✓*2
Video	1920 x 1080	59.94i	Single	-	-	-	✓*2	✓*2	✓*2	✓*2	✓*2	✓*2	✓*2	✓*2	✓*2	✓*2
Video	1920 x 1080	60i	Single	-	-	-	✓*2	✓*2	✓*2	✓*2	✓*2	✓*2	✓*2	✓*2	✓*2	✓*2
Video	1920 x 1080	100p	Single	-	-	-	✓	✓*A	✓*A	✓	✓*A	✓*A	✓	✓*A	✓*A	✓*A
Video	1920 x 1080	119.88p	Single	-	-	-	✓	✓*A	✓*A	✓	✓*A	✓*A	✓	✓*A	✓*A	✓*A
Video	1920 x 1080	120p	Single	-	-	-	✓	✓*A	✓*A	✓	✓*A	✓*A	✓	✓*A	✓*A	✓*A

Signal Information				HDMI													
Mode	Resolution	Refresh Rate [Hz]	Link	YCbCr									RGB				
				4:2:0			4:2:2			4:4:4			RGB				
				8	10	12	8	10	12	8	10	12	8	10	12		
Video	2560 x 1080	50p	Single	-	-	-	-	-	-	-	-	-	-	-	-	-	-
Video	2560 x 1080	59.94p	Single	-	-	-	-	-	-	-	-	-	-	-	-	-	-
Video	2560 x 1080	60p	Single	-	-	-	-	-	-	-	-	-	-	-	✓	-	-
Video	3840 x 2160	23.98p	Single	-	-	-	✓	✓*A	✓*A	✓	✓*A	✓*A	✓	✓*A	✓*A	✓	✓*A
Video	3840 x 2160	24p	Single	-	-	-	✓	✓*A	✓*A	✓	✓*A	✓*A	✓	✓*A	✓*A	✓	✓*A
Video	3840 x 2160	25p	Single	-	-	-	✓	✓*A	✓*A	✓	✓*A	✓*A	✓	✓*A	✓*A	✓	✓*A
Video	3840 x 2160	29.97p	Single	-	-	-	✓	✓*A	✓*A	✓	✓*A	✓*A	✓	✓*A	✓*A	✓	✓*A
Video	3840 x 2160	30p	Single	-	-	-	✓	✓*A	✓*A	✓	✓*A	✓*A	✓	✓*A	✓*A	✓	✓*A
Video	3840 x 2160	50p	Single	✓	✓*A	✓*A	✓	✓*A	✓*A	✓	✓*A	✓*A	✓	✓*A	✓*A	✓	✓*A
Video	3840 x 2160	59.94p	Single	✓	✓*A	✓*A	✓	✓*A	✓*A	✓	✓*A	✓*A	✓	✓*A	✓*A	✓	✓*A
Video	3840 x 2160	60p	Single	✓	✓*A	✓*A	✓	✓*A	✓*A	✓	✓*A	✓*A	✓	✓*A	✓*A	✓	✓*A
Video	4096 x 2160	23.98p	Single	-	-	-	✓	✓*A	✓*A	✓	✓*A	✓*A	✓	✓*A	✓*A	✓	✓*A
Video	4096 x 2160	24p	Single	-	-	-	✓	✓*A	✓*A	✓	✓*A	✓*A	✓	✓*A	✓*A	✓	✓*A
Video	4096 x 2160	25p	Single	-	-	-	-	-	-	-	-	-	-	-	-	-	-
Video	4096 x 2160	29.97p	Single	-	-	-	-	-	-	-	-	-	-	-	-	-	-
Video	4096 x 2160	30p	Single	-	-	-	-	-	-	-	-	-	-	-	-	-	-
Video	4096 x 2160	50p	Single	✓	✓*A	✓*A	✓	✓*A	✓*A	✓	✓*A	✓*A	✓	✓*A	✓*A	✓	✓*A
Video	4096 x 2160	59.94p	Single	✓	✓*A	✓*A	✓	✓*A	✓*A	✓	✓*A	✓*A	✓	✓*A	✓*A	✓	✓*A
Video	4096 x 2160	60p	Single	✓	✓*A	✓*A	✓	✓*A	✓*A	✓	✓*A	✓*A	✓	✓*A	✓*A	✓	✓*A
Video	3840 x 2160	100p	Single	✓	✓*A	✓*A	✓	✓*A	✓*A	✓	✓*A	-	✓	✓*A	-	✓	✓*A
Video	3840 x 2160	119.88p	Single	✓	✓*A	✓*A	✓	✓*A	✓*A	✓	✓*A	-	✓	✓*A	-	✓	✓*A
Video	3840 x 2160	120p	Single	✓	✓*A	✓*A	✓	✓*A	✓*A	✓	✓*A	-	✓	✓*A	-	✓	✓*A
Video	4096 x 2160	100p	Single	✓	✓*A	✓*A	✓	✓*A	✓*A	✓	✓*A	-	✓	✓*A	-	✓	✓*A
Video	4096 x 2160	119.88p	Single	✓	✓*A	✓*A	✓	✓*A	✓*A	✓	✓*A	-	✓	✓*A	-	✓	✓*A
Video	4096 x 2160	120p	Single	✓	✓*A	✓*A	✓	✓*A	✓*A	✓	✓*A	-	✓	✓*A	-	✓	✓*A

• Common note

Formats with a checkmark "✓" in 10 bit and 12 bit support "Deep Color".

• Notes (*1 and 2)

*1 : Pixel repetition : H active is 720(1440)

*2 : When an interlaced signal is input, the projected image may flicker due to the line doubling process.

• HDR Support Information (*A)

	HDR Supported	Color Space	Standard
*A	HDR10,HLG	BT.2020	BT.2100

HDBaseT

Signal Information				HDBaseT																	
Mode	Resolution	Refresh Rate [Hz]	Link	YCbCr									RGB								
				4:2:0			4:2:2			4:4:4			8			10			12		
				8	10	12	8	10	12	8	10	12	8	10	12	8	10	12			
PC	640 x 480	59.94p	Single	-	-	-	-	-	-	-	-	-	-	-	✓	-	-				
PC	800 x 600	60.32p	Single	-	-	-	-	-	-	-	-	-	-	-	✓	-	-				
PC	1024 x 768	60p	Single	-	-	-	-	-	-	-	-	-	-	-	✓	-	-				
PC	1280 x 800	59.81p	Single	-	-	-	-	-	-	-	-	-	-	-	✓	-	-				
PC	1280 x 960	60p	Single	-	-	-	-	-	-	-	-	-	-	-	✓	-	-				
PC	1280 x 1024	60.02p	Single	-	-	-	-	-	-	-	-	-	-	-	✓	-	-				
PC	1366 x 768	59.79p	Single	-	-	-	-	-	-	-	-	-	-	-	✓	-	-				
PC	1400 x 1050	59.98p	Single	-	-	-	-	-	-	-	-	-	-	-	✓	-	-				
PC	1440 x 900	59.89p	Single	-	-	-	-	-	-	-	-	-	-	-	✓	-	-				
PC	1600 x 900	60p	Single	-	-	-	-	-	-	-	-	-	-	-	✓	-	-				
PC	1600 x 1200	60p	Single	-	-	-	-	-	-	-	-	-	-	-	✓	-	-				
PC	1680 x 1050	59.95p	Single	-	-	-	-	-	-	-	-	-	-	-	✓	-	-				
PC	1920 x 1200	59.95p	Single	-	-	-	-	-	-	-	-	-	-	-	✓	-	-				
PC	2048 x 1536	59.95p	Single	-	-	-	-	-	-	-	-	-	-	-	✓	-	-				
PC	2560 x 1440	59.95p	Single	-	-	-	-	-	-	-	-	-	-	-	✓	-	-				
PC	2560 x 1600	59.97p	Single	-	-	-	-	-	-	-	-	-	-	-	✓	-	-				
PC	1920 x 720	60p	Single	-	-	-	-	-	-	-	-	-	-	-	✓	-	-				
PC	1920 x 810	60p	Single	-	-	-	-	-	-	-	-	-	-	-	-	-	-				
PC	2880 x 1080	60p	Single	-	-	-	-	-	-	-	-	-	-	-	✓	-	-				
PC	3200 x 900	60p	Single	-	-	-	-	-	-	-	-	-	-	-	✓	-	-				
PC	3240 x 1080	60p	Single	-	-	-	-	-	-	-	-	-	-	-	✓	-	-				
PC	3440 x 1440	30p	Single	-	-	-	-	-	-	-	-	-	-	-	✓	-	-				
PC	3456 x 1080	30p	Single	-	-	-	-	-	-	-	-	-	-	-	✓	-	-				
PC	3456 x 1080	60p	Single	-	-	-	-	-	-	-	-	-	-	-	✓	-	-				
Video	720 x 480	59.94p	Single	-	-	-	✓	✓	✓	✓	✓	✓	✓	✓	✓	✓	✓				
Video	720 x 576	50p	Single	-	-	-	✓	✓	✓	✓	✓	✓	✓	✓	✓	✓	✓				
Video	1280 x 720	50p	Single	-	-	-	✓	✓	✓	✓	✓	✓	✓	✓	✓	✓	✓				
Video	1280 x 720	59.94p	Single	-	-	-	✓	✓	✓	✓	✓	✓	✓	✓	✓	✓	✓				
Video	1280 x 720	60p	Single	-	-	-	✓	✓	✓	✓	✓	✓	✓	✓	✓	✓	✓				
Video *1	720 x 480	59.94i	Single	-	-	-	-	-	-	-	-	-	-	-	-	-	-				
Video *1	720 x 576	50i	Single	-	-	-	-	-	-	-	-	-	-	-	-	-	-				
Video	1920 x 1080	23.98p	Single	-	-	-	✓	✓*A	✓*A	✓	✓*A	✓*A	✓	✓*A	✓*A	✓*A	✓*A				
Video	1920 x 1080	24p	Single	-	-	-	✓	✓*A	✓*A	✓	✓*A	✓*A	✓	✓*A	✓*A	✓*A	✓*A				
Video	1920 x 1080	25p	Single	-	-	-	-	-	-	-	-	-	-	-	-	-	-				
Video	1920 x 1080	29.97p	Single	-	-	-	✓	✓*A	✓*A	✓	✓*A	✓*A	✓	✓*A	✓*A	✓*A	✓*A				
Video	1920 x 1080	30p	Single	-	-	-	✓	✓*A	✓*A	✓	✓*A	✓*A	✓	✓*A	✓*A	✓*A	✓*A				
Video	1920 x 1080	50p	Single	-	-	-	✓	✓*A	✓*A	✓	✓*A	✓*A	✓	✓*A	✓*A	✓*A	✓*A				
Video	1920 x 1080	59.94p	Single	-	-	-	✓	✓*A	✓*A	✓	✓*A	✓*A	✓	✓*A	✓*A	✓*A	✓*A				
Video	1920 x 1080	60p	Single	-	-	-	✓	✓*A	✓*A	✓	✓*A	✓*A	✓	✓*A	✓*A	✓*A	✓*A				
Video	1920 x 1080	50i	Single	-	-	-	✓*2	✓*2	✓*2	✓*2	✓*2	✓*2	✓*2	✓*2	✓*2	✓*2	✓*2				
Video	1920 x 1080	59.94i	Single	-	-	-	✓*2	✓*2	✓*2	✓*2	✓*2	✓*2	✓*2	✓*2	✓*2	✓*2	✓*2				
Video	1920 x 1080	60i	Single	-	-	-	✓*2	✓*2	✓*2	✓*2	✓*2	✓*2	✓*2	✓*2	✓*2	✓*2	✓*2				
Video	1920 x 1080	100p	Single	-	-	-	-	-	-	-	-	-	-	-	-	-	-				
Video	1920 x 1080	119.88p	Single	-	-	-	-	-	-	-	-	-	-	-	-	-	-				
Video	1920 x 1080	120p	Single	-	-	-	-	-	-	-	-	-	-	-	-	-	-				

Signal Information				HDBaseT													
Mode	Resolution	Refresh Rate [Hz]	Link	YCbCr									RGB				
				4:2:0			4:2:2			4:4:4							
				8	10	12	8	10	12	8	10	12	8	10	12		
Video	2560 x 1080	50p	Single	-	-	-	-	-	-	-	-	-	-	-	-	-	-
Video	2560 x 1080	59.94p	Single	-	-	-	-	-	-	-	-	-	-	-	-	-	-
Video	2560 x 1080	60p	Single	-	-	-	-	-	-	-	-	-	-	-	✓	-	-
Video	3840 x 2160	23.98p	Single	-	-	-	✓	✓*A	✓*A	✓	-	-	✓	-	-	-	-
Video	3840 x 2160	24p	Single	-	-	-	✓	✓*A	✓*A	✓	-	-	✓	-	-	-	-
Video	3840 x 2160	25p	Single	-	-	-	✓	✓*A	✓*A	✓	-	-	✓	-	-	-	-
Video	3840 x 2160	29.97p	Single	-	-	-	✓	✓*A	✓*A	✓	-	-	✓	-	-	-	-
Video	3840 x 2160	30p	Single	-	-	-	✓	✓*A	✓*A	✓	-	-	✓	-	-	-	-
Video	3840 x 2160	50p	Single	✓	-	-	-	-	-	-	-	-	-	-	-	-	-
Video	3840 x 2160	59.94p	Single	✓	-	-	-	-	-	-	-	-	-	-	-	-	-
Video	3840 x 2160	60p	Single	✓	-	-	-	-	-	-	-	-	-	-	-	-	-
Video	4096 x 2160	23.98p	Single	-	-	-	✓	✓*A	✓*A	✓	-	-	✓	-	-	-	-
Video	4096 x 2160	24p	Single	-	-	-	✓	✓*A	✓*A	✓	-	-	✓	-	-	-	-
Video	4096 x 2160	25p	Single	-	-	-	-	-	-	-	-	-	-	-	-	-	-
Video	4096 x 2160	29.97p	Single	-	-	-	-	-	-	-	-	-	-	-	-	-	-
Video	4096 x 2160	30p	Single	-	-	-	-	-	-	-	-	-	-	-	-	-	-
Video	4096 x 2160	50p	Single	✓	-	-	-	-	-	-	-	-	-	-	-	-	-
Video	4096 x 2160	59.94p	Single	✓	-	-	-	-	-	-	-	-	-	-	-	-	-
Video	4096 x 2160	60p	Single	✓	-	-	-	-	-	-	-	-	-	-	-	-	-
Video	3840 x 2160	100p	Single	-	-	-	-	-	-	-	-	-	-	-	-	-	-
Video	3840 x 2160	119.88p	Single	-	-	-	-	-	-	-	-	-	-	-	-	-	-
Video	3840 x 2160	120p	Single	-	-	-	-	-	-	-	-	-	-	-	-	-	-
Video	4096 x 2160	100p	Single	-	-	-	-	-	-	-	-	-	-	-	-	-	-
Video	4096 x 2160	119.88p	Single	-	-	-	-	-	-	-	-	-	-	-	-	-	-
Video	4096 x 2160	120p	Single	-	-	-	-	-	-	-	-	-	-	-	-	-	-

• Common note

Formats with a checkmark "✓" in 10 bit and 12 bit support "Deep Color".

• Notes (*1 and 2)

*1 : Pixel repetition : H active is 720(1440)

*2 : When an interlaced signal is input, the projected image may flicker due to the line doubling process.

• HDR Support Information (*A)

	HDR Supported	Color Space Supported	Standard
*A	HDR10,HLG	BT.2020	BT.2100

12G-SDI

Signal Information				12G-SDI													
SDI Type	Resolution	Refresh Rate [Hz]	Link	YCbCr									RGB				
				4:2:0			4:2:2			4:4:4			RGB				
				8	10	12	8	10	12	8	10	12	8	10	12		
HD	1280 x 720	50p	Single	-	-	-	-	✓	-	-	-	-	-	-	-	-	-
HD	1280 x 720	59.94p	Single	-	-	-	-	✓	-	-	-	-	-	-	-	-	-
HD	1280 x 720	60p	Single	-	-	-	-	✓	-	-	-	-	-	-	-	-	-
HD	1920 x 1080	50i	Single	-	-	-	-	✓*1	-	-	-	-	-	-	-	-	-
HD	1920 x 1080	59.94i	Single	-	-	-	-	✓*1	-	-	-	-	-	-	-	-	-
HD	1920 x 1080	60i	Single	-	-	-	-	✓*1	-	-	-	-	-	-	-	-	-
HD	1920 x 1080	23.98p	Single	-	-	-	-	✓*A	-	-	-	-	-	-	-	-	-
HD	1920 x 1080	24p	Single	-	-	-	-	✓*A	-	-	-	-	-	-	-	-	-
HD	1920 x 1080	25p	Single	-	-	-	-	✓*A	-	-	-	-	-	-	-	-	-
HD	1920 x 1080	29.97p	Single	-	-	-	-	✓*A	-	-	-	-	-	-	-	-	-
HD	1920 x 1080	30p	Single	-	-	-	-	✓*A	-	-	-	-	-	-	-	-	-
3G(Lv-A)	1920 x 1080	50i	Single	-	-	-	-	-	-	-	-	-	-	-	-	-	-
3G(Lv-A)	1920 x 1080	59.94i	Single	-	-	-	-	-	-	-	-	-	-	-	-	-	-
3G(Lv-A)	1920 x 1080	60i	Single	-	-	-	-	-	-	-	-	-	-	-	-	-	-
3G(Lv-A)	1920 x 1080	23.98p	Single	-	-	-	-	-	-	✓*A	✓*A	-	✓*A	✓*A	-	-	-
3G(Lv-A)	1920 x 1080	24p	Single	-	-	-	-	-	-	✓*A	✓*A	-	✓*A	✓*A	-	-	-
3G(Lv-A)	1920 x 1080	25p	Single	-	-	-	-	-	-	✓*A	✓*A	-	✓*A	✓*A	-	-	-
3G(Lv-A)	1920 x 1080	29.97p	Single	-	-	-	-	-	-	✓*A	✓*A	-	✓*A	✓*A	-	-	-
3G(Lv-A)	1920 x 1080	30p	Single	-	-	-	-	-	-	✓*A	✓*A	-	✓*A	✓*A	-	-	-
3G(Lv-A)	1920 x 1080	50p	Single	-	-	-	-	✓*A	-	-	-	-	-	-	-	-	-
3G(Lv-A)	1920 x 1080	59.94p	Single	-	-	-	-	✓*A	-	-	-	-	-	-	-	-	-
3G(Lv-A)	1920 x 1080	60p	Single	-	-	-	-	✓*A	-	-	-	-	-	-	-	-	-
12G(T-1 M1)	3840 x 2160	23.98p	Single	-	-	-	-	-	✓*A	-	✓*A	✓*A	-	✓*A	✓*A	-	✓*A
12G(T-1 M1)	3840 x 2160	24p	Single	-	-	-	-	-	✓*A	-	✓*A	✓*A	-	✓*A	✓*A	-	✓*A
12G(T-1 M1)	3840 x 2160	25p	Single	-	-	-	-	-	✓*A	-	✓*A	✓*A	-	✓*A	✓*A	-	✓*A
12G(T-1 M1)	3840 x 2160	29.97p	Single	-	-	-	-	-	✓*A	-	✓*A	✓*A	-	✓*A	✓*A	-	✓*A
12G(T-1 M1)	3840 x 2160	30p	Single	-	-	-	-	-	✓*A	-	✓*A	✓*A	-	✓*A	✓*A	-	✓*A
12G(T-1 M1)	3840 x 2160	50p	Single	-	-	-	-	✓*A	-	-	-	-	-	-	-	-	-
12G(T-1 M1)	3840 x 2160	59.94p	Single	-	-	-	-	✓*A	-	-	-	-	-	-	-	-	-
12G(T-1 M1)	3840 x 2160	60p	Single	-	-	-	-	✓*A	-	-	-	-	-	-	-	-	-
12G(T-1 M1)	4096 x 2160	23.98p	Single	-	-	-	-	-	✓*A	-	✓*A	✓*A	-	✓*A	✓*A	-	✓*A
12G(T-1 M1)	4096 x 2160	24p	Single	-	-	-	-	-	✓*A	-	✓*A	✓*A	-	✓*A	✓*A	-	✓*A
12G(T-1 M1)	4096 x 2160	25p	Single	-	-	-	-	-	-	-	-	-	-	-	-	-	-
12G(T-1 M1)	4096 x 2160	29.97p	Single	-	-	-	-	-	-	-	-	-	-	-	-	-	-
12G(T-1 M1)	4096 x 2160	30p	Single	-	-	-	-	-	-	-	-	-	-	-	-	-	-
12G(T-1 M1)	4096 x 2160	50p	Single	-	-	-	-	✓*A	-	-	-	-	-	-	-	-	-
12G(T-1 M1)	4096 x 2160	59.94p	Single	-	-	-	-	✓*A	-	-	-	-	-	-	-	-	-
12G(T-1 M1)	4096 x 2160	60p	Single	-	-	-	-	✓*A	-	-	-	-	-	-	-	-	-

• Common notes

- "3G(Lv-A)" stands for "3G-SDI Level-A"
- "12G(T-1 M1)" stands for "12G-SDI Type-1 Mode1"

• Notes (*1)

*1 : If an interlaced signal is connected, the image may flicker due to line doubler processing.

• HDR Support Information (*A)

	HDR Supported	Color Space	Standard
*A	HDR10,HLG	BT.2020	BT.2100

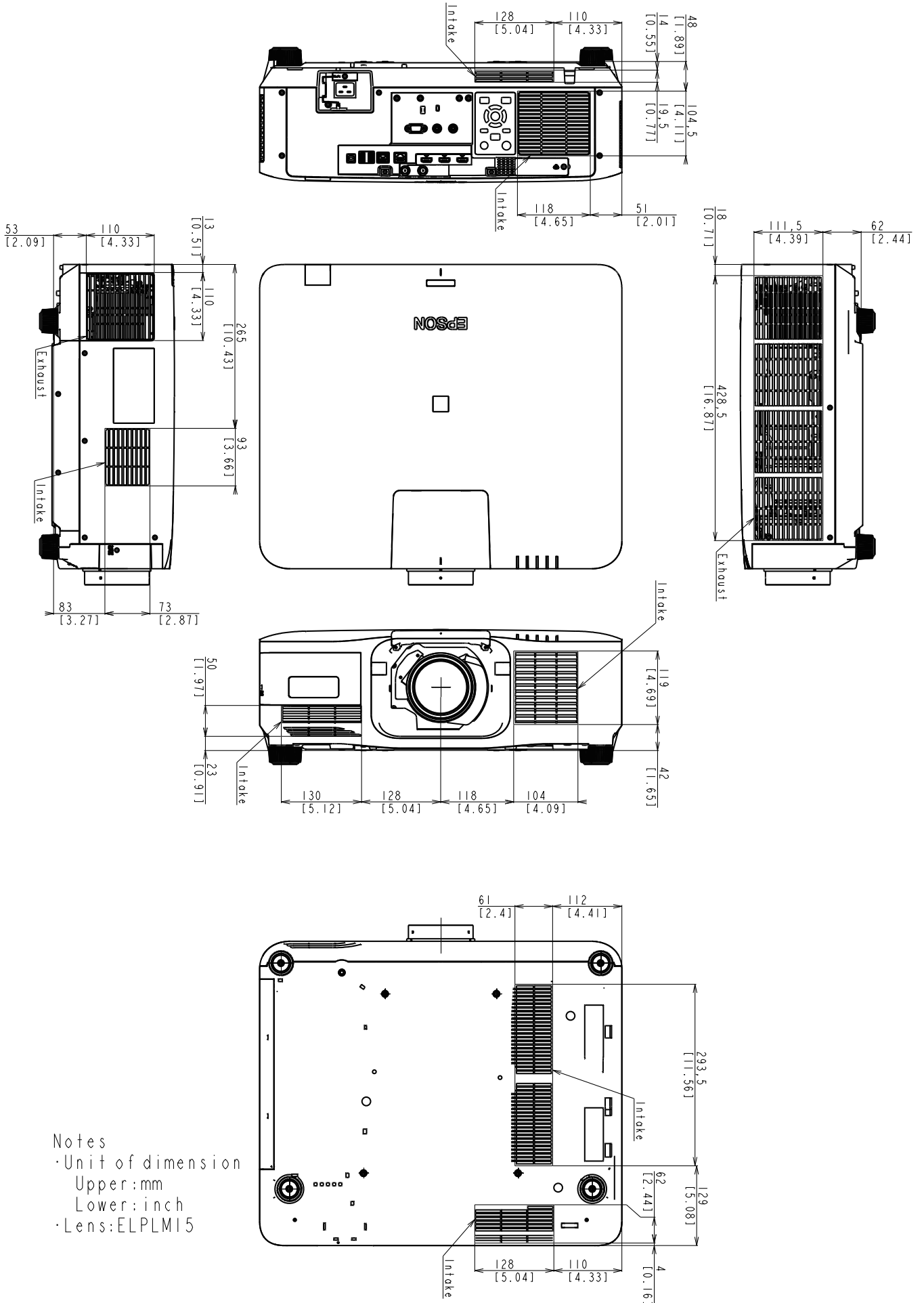
■ File Formats Supported in Content Playback Mode

You can project these types of files using the projector's Content Playback feature.

File contents	File type (extension)	Details
Image	.jpg	<ul style="list-style-type: none"> • We recommend JPEGs taken with a digital still camera that complies with the Exif standard. • The number of vertical and horizontal pixels must be a multiple of 8. • Make sure the file is not: <ul style="list-style-type: none"> • Progressive format • Above 8,192 × 8,192 resolution
	.bmp	Make sure the file is not: <ul style="list-style-type: none"> • Above 1,280 × 800 resolution
	.gif	<ul style="list-style-type: none"> • The image must be a transparent gif with a black background. • Make sure the file is not: <ul style="list-style-type: none"> • Above 1,280 × 800 resolution • Animated • Interlaced
	.png	Make sure the file is not: <ul style="list-style-type: none"> • Above 1,280 × 800 resolution • Interlaced
Movie	.avi (Motion JPEG)	<ul style="list-style-type: none"> • Version: AVI 1.0 only • Resolution: 1,280 × 800 or less • Size: 2 GB or less • Movie Codec: Motion JPEG • Audio Codec: LPCM, IMA ADPCM, or no audio • Audio sampling rate: 11.025 kHz, 22.05 kHz, 44.1 kHz, 16 kHz, 24 kHz, 32 kHz, 48 kHz

External Dimensions

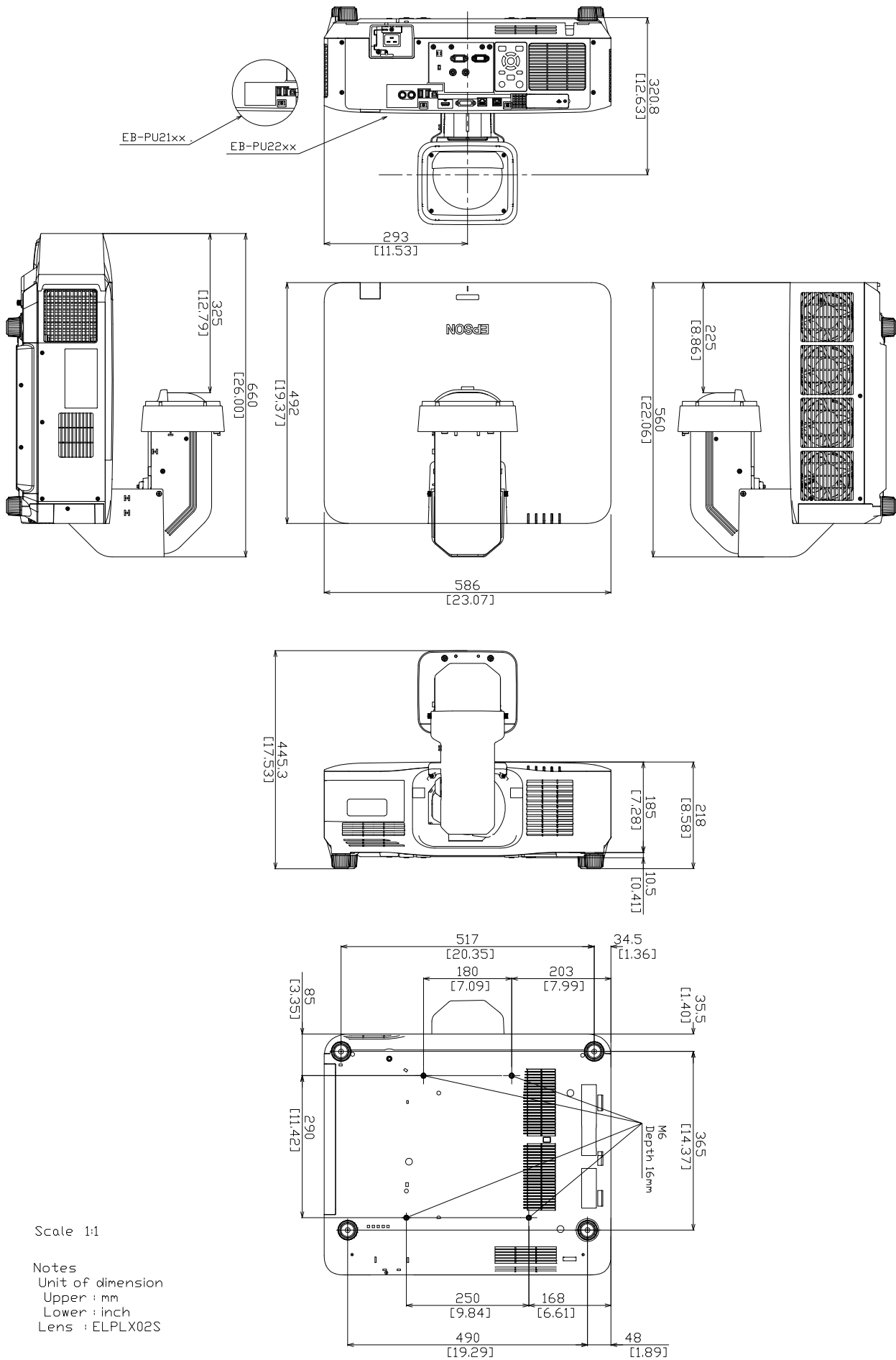
When the lens unit ELPLM15 is installed



Notes

- Unit of dimension
Upper: mm
Lower: inch
- Lens: ELPLM15

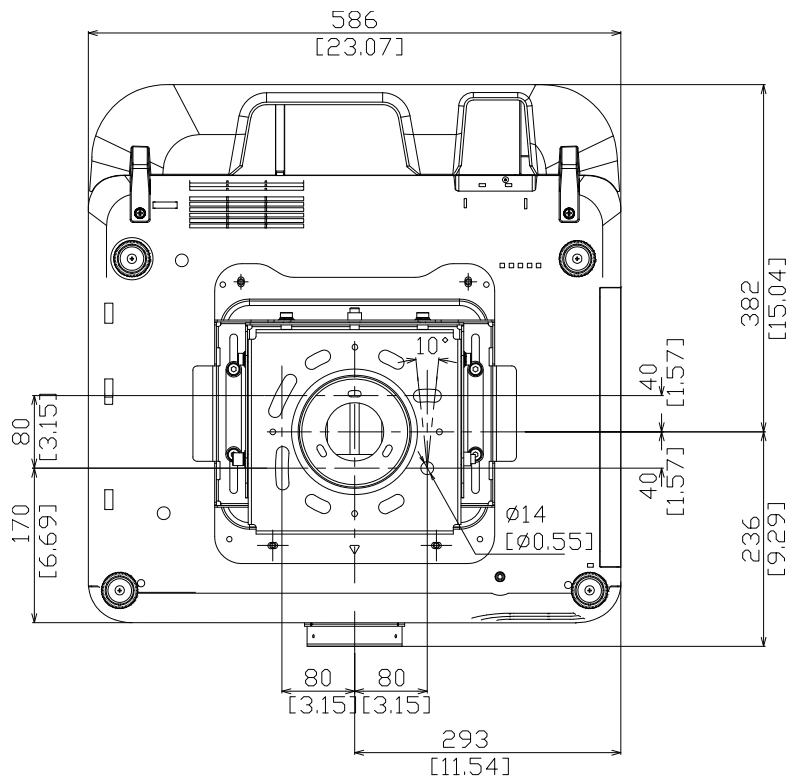
When the lens unit LPLX02S/ELPLX02WS is installed



Scale 1:1

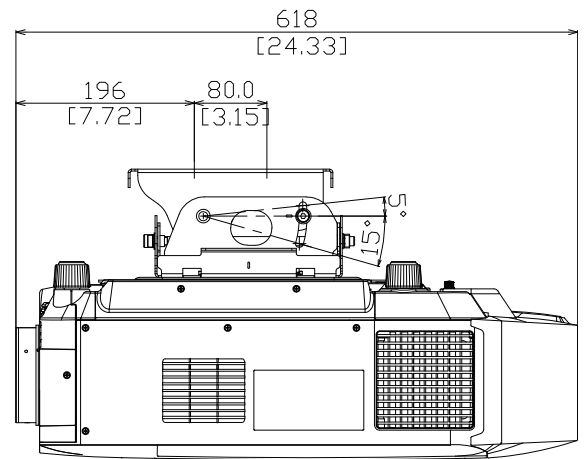
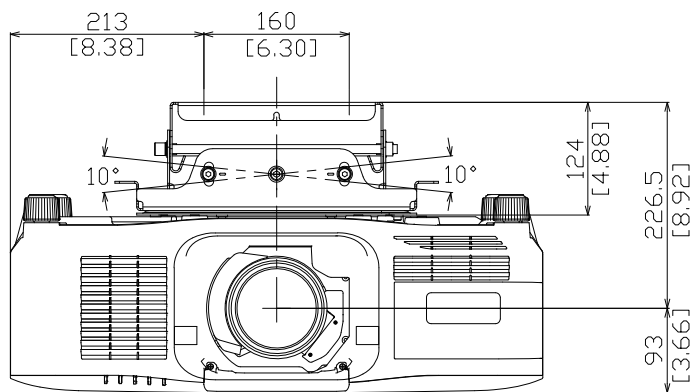
Notes
 Unit of dimension
 Upper : mm
 Lower : inch
 Lens : ELPLX02S

Lens unit ELPLM15 + ceiling mount LPMB67

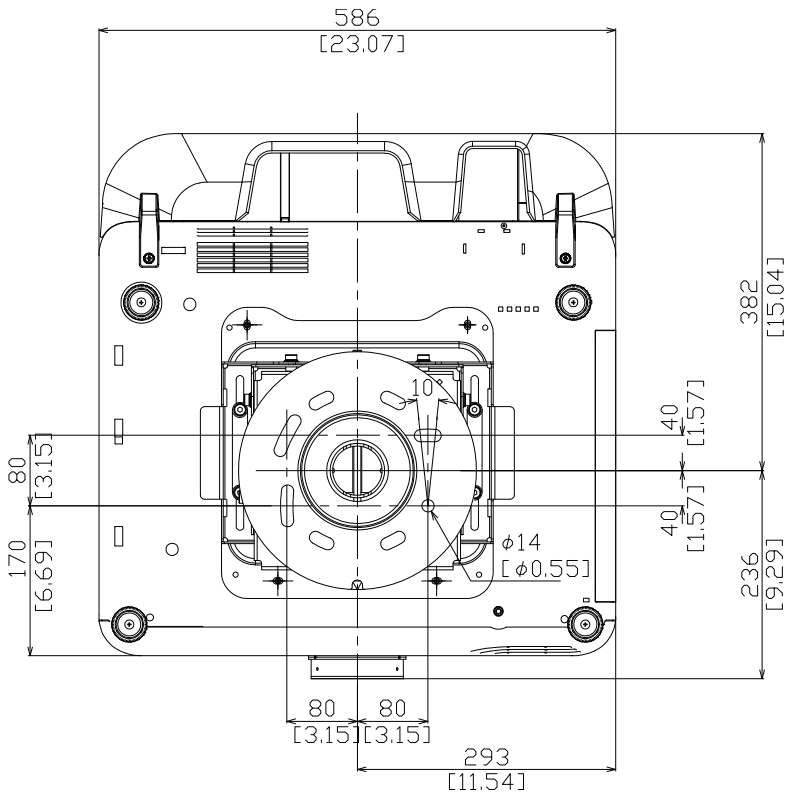


Scale 1:1

Notes
 Unit of dimension
 Upper : mm
 Lower : inch
 Lens : ELPLM15

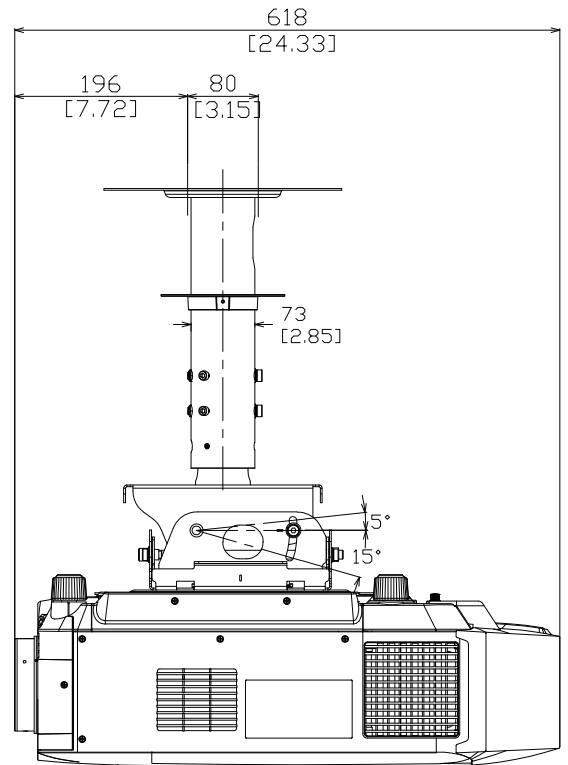
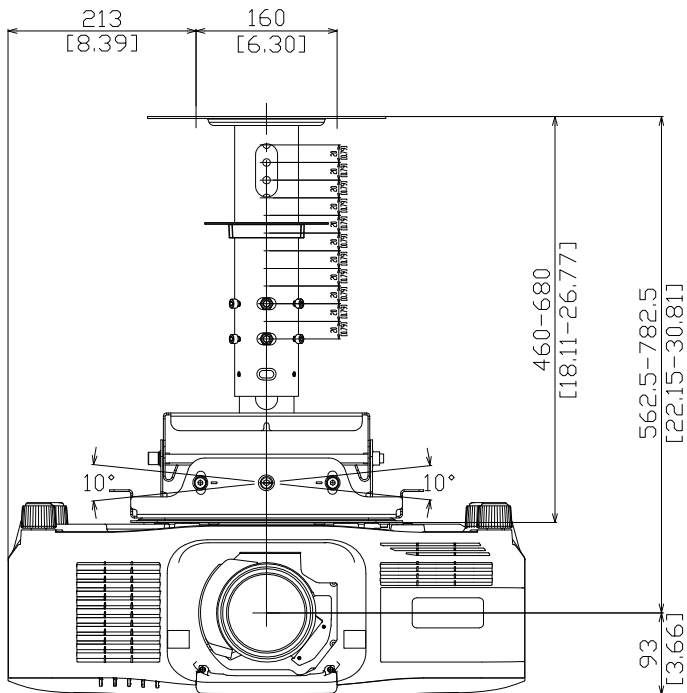


Lens unit ELPLM15 + ceiling mount ELPMB67 + suspension adapter ELPPF15

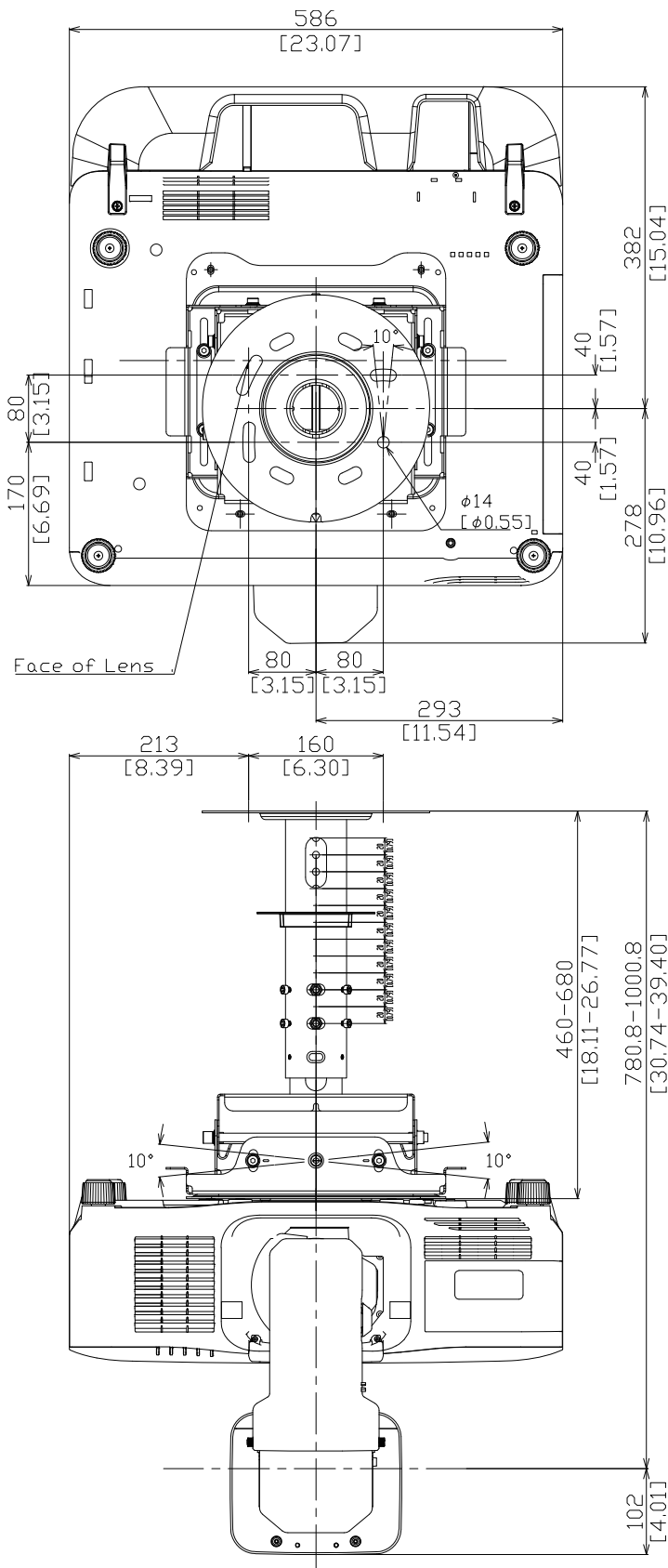


Scale 1:1

Notes
 Unit of dimension
 Upper : mm
 Lower : inch
 Lens : ELPLM15

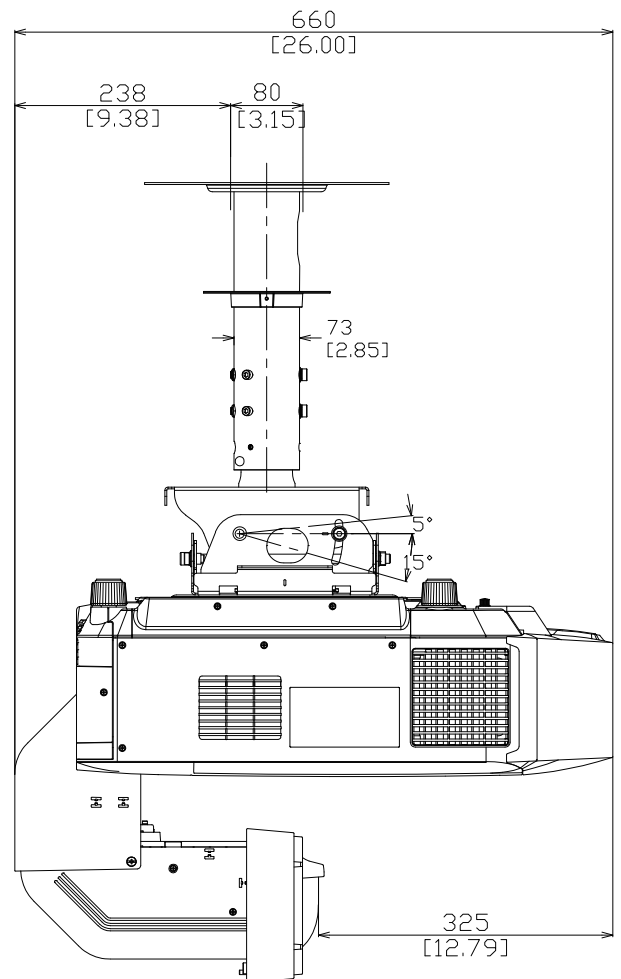


Lens unit ELPLX02S/ELPLX02WS + ceiling mount ELPMB67 + suspension adapter ELPFP15



Scale 1:1

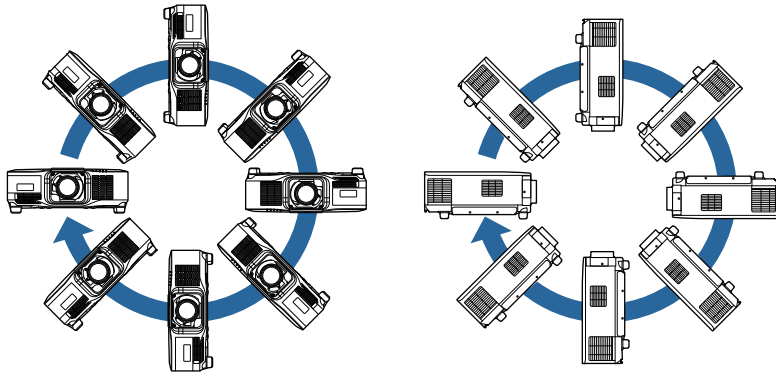
Notes
 Unit of dimension
 Upper : mm
 Lower : inch
 Lens : ELPLX02S



■ Precautions on Installation

You can install the projector or mount it to the ceiling at any horizontal or vertical angle. There are no restrictions on the installation angle, whether it is installed vertically or horizontally.

Note the following precautions when installing the projector.



⚠ Warning

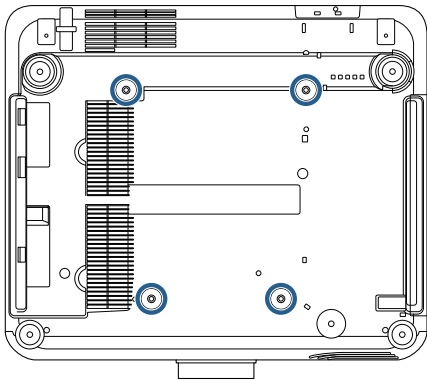
- Do not use adhesives on the ceiling mount fixing points to prevent the screws from loosening, or use lubricants, oils, or similar substances on the projector; the projector case may crack causing it to fall from its ceiling mount. This could cause serious injury to anyone under the ceiling mount and could damage the projector.
- Do not install the projector in a location subject to high levels of dust or humidity, or in a location subject to smoke or steam. Otherwise, it could cause a fire or electric shock to occur. The projector's case could also deteriorate and be damaged causing the projector to fall from the mount.

Examples of environments that could cause the projector to fall due to case deterioration

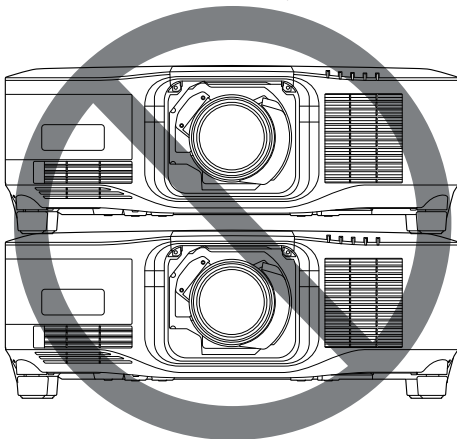
- Locations subject to excessive smoke or airborne oil particles, such as factories or kitchens
- Locations containing volatile solvents or chemicals, such as factories or laboratories
- Locations where the projector could be subjected to detergents or chemicals, such as factories or kitchens
- Locations in which aroma oils are often used, such as relaxation rooms
- Near devices that produce excessive smoke, airborne oil particles, or foam at events

Caution

- Install the current breaker for 13 A to 20 A to the wiring in the building that supplies electricity to the projector. Do not connect other devices to the wiring where the current breaker is installed, and use the wiring only for the projector. (EB-PQ2220B, CB-PQ2220B only)
- Use M6 screws (up to a depth of 14 mm) to fix the projector's ceiling mount fixing points and the mounting hardware at four points.



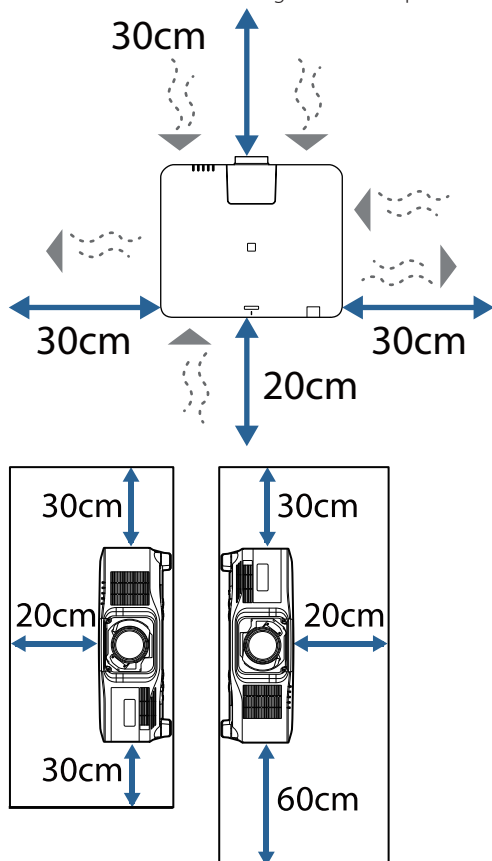
- Do not stack projectors directly on top of each other.



Installation space

Caution

- Be sure to leave the following amount of space around the projector so as not to block the air exhaust and intake vents.

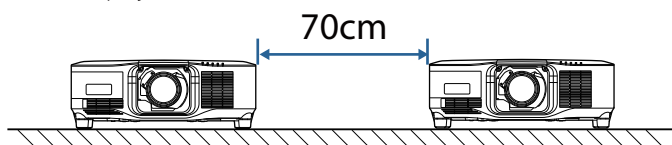


- Do not install the projector in a location that does not allow air to circulate, such as on a shelf or in a box. If you want to install the projector on a shelf or in an enclosure, contact Epson for more details.
- If there is not enough space around the projector and the internal temperature of the projector increases, the brightness of the light source may decrease. Make sure hot air from the exhaust vent does not go into the air intake vent.

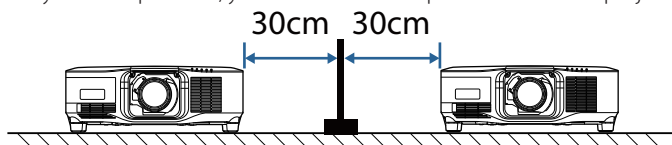
Installation space (When installing multiple projectors side by side)

Caution

- If you are installing multiple projectors next to each other, make sure hot air from the exhaust vent does not go into the air intake vent of another projector.



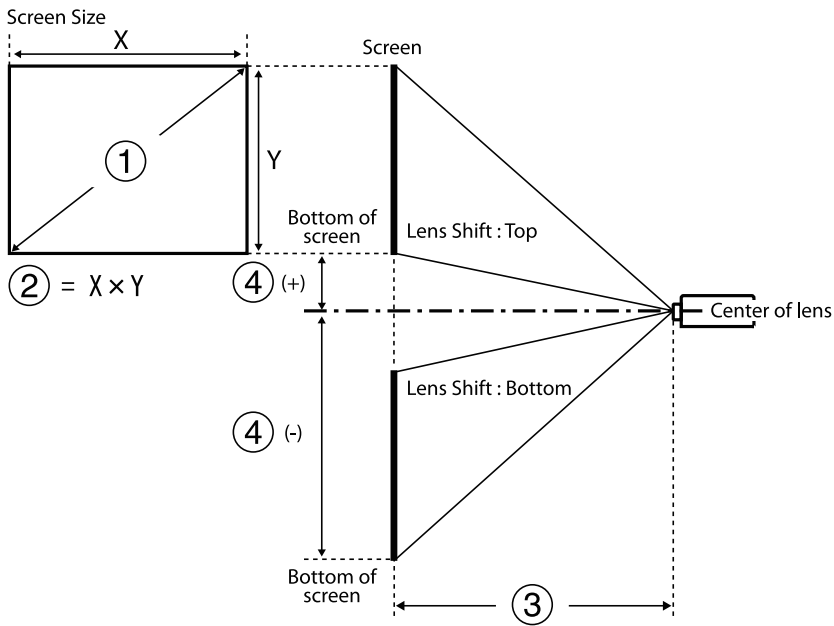
- If you use a partition, you can narrow the space between the projectors.



■ Screen Size and Projection Distance

Check the tables in these sections to determine how far to place the projector from the screen based on the size of the projected image.

Projection distance formula



- ① Screen size (inches)
- ② Screen size (Width \times Height) (cm)
- ③ Projection distance (Minimum: Wide to Maximum: Tele) (cm)
- ④ Distance from the center of the lens to the bottom of the screen (cm)

16:9

Lens		Projection distance formula	Throw ratio (projection distance/x)
ELPLX02 ELPLX02W ELPLX02S ELPLX02WS	-	③ (cm) = (inches) ① \times 0.77 - 3.41	0.34
ELPLU03 ELPLU03S	Minimum	③ (cm) = (inches) ① \times 1.04 - 3.47	0.46 - 0.56
	Maximum	③ (cm) = (inches) ① \times 1.25 - 3.28	
ELPLU04	Minimum	③ (cm) = (inches) ① \times 1.40 - 5.23	0.62 - 0.75
	Maximum	③ (cm) = (inches) ① \times 1.69 - 5.30	
ELPLW05	Minimum	③ (cm) = (inches) ① \times 1.69 - 7.87	0.74 - 1.04
	Maximum	③ (cm) = (inches) ① \times 2.34 - 5.81	
ELPLW08	Minimum	③ (cm) = (inches) ① \times 1.87 - 3.98	0.83 - 1.17
	Maximum	③ (cm) = (inches) ① \times 2.63 - 5.13	
ELPLW06	Minimum	③ (cm) = (inches) ① \times 2.60 - 7.47	1.15 - 1.57
	Maximum	③ (cm) = (inches) ① \times 3.53 - 6.97	
ELPLM08	Minimum	③ (cm) = (inches) ① \times 2.30 - 5.10	1.02 - 1.64
	Maximum	③ (cm) = (inches) ① \times 3.68 - 4.54	
ELPLM09 ELPLM15	Minimum	③ (cm) = (inches) ① \times 3.43 - 8.09	1.52 - 2.47
	Maximum	③ (cm) = (inches) ① \times 5.54 - 8.00	
ELPLM10	Minimum	③ (cm) = (inches) ① \times 5.29 - 13.19	2.34 - 3.59
	Maximum	③ (cm) = (inches) ① \times 8.05 - 13.07	
ELPLM11	Minimum	③ (cm) = (inches) ① \times 7.76 - 23.84	3.42 - 5.23
	Maximum	③ (cm) = (inches) ① \times 11.75 - 23.54	
ELPLL08	Minimum	③ (cm) = (inches) ① \times 11.53 - 32.22	5.09 - 7.16
	Maximum	③ (cm) = (inches) ① \times 16.10 - 31.78	

Lens	Distance from the center of the lens to the base of the screen
ELPLX02 ELPLX02W ELPLX02S ELPLX02WS	$4 (+) \text{ (cm)} = \text{(inches)} 1 \times 0.31$ $4 (-) \text{ (cm)} = \text{(inches)} 1 \times 0.06$
ELPLU03 ELPLU03S ELPLW05 ELPLM08	$4 (+) \text{ (cm)} = \text{(inches)} 1 \times 0.30$ $4 (-) \text{ (cm)} = \text{(inches)} 1 \times 0.94$
ELPLU04 ELPLW08 ELPLW06 ELPLM09 ELPLM15 ELPLM10 ELPLM11 ELPLL08	$4 (+) \text{ (cm)} = \text{(inches)} 1 \times 0.18$ $4 (-) \text{ (cm)} = \text{(inches)} 1 \times 1.43$

4:3

Lens	Projection distance formula		Throw ratio (projection distance/x)
ELPLX02 ELPLX02W ELPLX02S ELPLX02WS	-	$3 \text{ (cm)} = \text{(inches)} 1 \times 0.94 - 3.41$	0.45
ELPLU03 ELPLU03S	Minimum	$3 \text{ (cm)} = \text{(inches)} 1 \times 1.27 - 3.47$	0.61 - 0.74
	Maximum	$3 \text{ (cm)} = \text{(inches)} 1 \times 1.53 - 3.28$	
ELPLU04	Minimum	$3 \text{ (cm)} = \text{(inches)} 1 \times 1.72 - 5.23$	0.82 - 1.00
	Maximum	$3 \text{ (cm)} = \text{(inches)} 1 \times 2.07 - 5.30$	
ELPLW05	Minimum	$3 \text{ (cm)} = \text{(inches)} 1 \times 2.07 - 7.87$	0.99 - 1.38
	Maximum	$3 \text{ (cm)} = \text{(inches)} 1 \times 2.86 - 5.81$	
ELPLW08	Minimum	$3 \text{ (cm)} = \text{(inches)} 1 \times 2.29 - 3.98$	1.11 - 1.56
	Maximum	$3 \text{ (cm)} = \text{(inches)} 1 \times 3.22 - 5.13$	
ELPLW06	Minimum	$3 \text{ (cm)} = \text{(inches)} 1 \times 3.18 - 7.47$	1.53 - 2.09
	Maximum	$3 \text{ (cm)} = \text{(inches)} 1 \times 4.32 - 6.97$	
ELPLM08	Minimum	$3 \text{ (cm)} = \text{(inches)} 1 \times 2.81 - 5.10$	1.36 - 2.18
	Maximum	$3 \text{ (cm)} = \text{(inches)} 1 \times 4.50 - 4.54$	
ELPLM09 ELPLM15	Minimum	$3 \text{ (cm)} = \text{(inches)} 1 \times 4.19 - 8.09$	2.03 - 3.30
	Maximum	$3 \text{ (cm)} = \text{(inches)} 1 \times 6.78 - 8.00$	
ELPLM10	Minimum	$3 \text{ (cm)} = \text{(inches)} 1 \times 6.48 - 13.19$	3.13 - 4.78
	Maximum	$3 \text{ (cm)} = \text{(inches)} 1 \times 9.85 - 13.07$	
ELPLM11	Minimum	$3 \text{ (cm)} = \text{(inches)} 1 \times 9.50 - 23.84$	4.56 - 6.97
	Maximum	$3 \text{ (cm)} = \text{(inches)} 1 \times 14.38 - 23.54$	
ELPLL08	Minimum	$3 \text{ (cm)} = \text{(inches)} 1 \times 14.11 - 32.22$	6.79 - 9.55
	Maximum	$3 \text{ (cm)} = \text{(inches)} 1 \times 19.71 - 31.78$	

Lens	Distance from the center of the lens to the base of the screen
ELPLX02 ELPLX02W ELPLX02S ELPLX02WS	$4 (+) \text{ (cm)} = \text{(inches)} 1 \times 0.38$ $4 (-) \text{ (cm)} = \text{(inches)} 1 \times 0.08$
ELPLU03 ELPLU03S ELPLW05 ELPLM08	$4 (+) \text{ (cm)} = \text{(inches)} 1 \times 0.37$ $4 (-) \text{ (cm)} = \text{(inches)} 1 \times 1.16$

Lens	Distance from the center of the lens to the base of the screen
ELPLU04 ELPLW08 ELPLW06 ELPLM09 ELPLM15 ELPLM10 ELPLM11 ELPLL08	$④ (+) (cm) = (inches) ① \times 0.22$ $④ (-) (cm) = (inches) ① \times 1.75$

16:10

Projection lens		Projection distance formula	Throw ratio (projection distance/x)
ELPLX02 ELPLX02W ELPLX02S ELPLX02WS	-	$③ (cm) = (inches) ① \times 0.83 - 3.41$	0.37
ELPLU03 ELPLU03S	Minimum	$③ (cm) = (inches) ① \times 1.13 - 3.47$	0.51 - 0.62
	Maximum	$③ (cm) = (inches) ① \times 1.35 - 3.28$	
ELPLU04	Minimum	$③ (cm) = (inches) ① \times 1.52 - 5.23$	0.68 - 0.83
	Maximum	$③ (cm) = (inches) ① \times 1.83 - 5.30$	
ELPLW05	Minimum	$③ (cm) = (inches) ① \times 1.83 - 7.87$	0.82 - 1.15
	Maximum	$③ (cm) = (inches) ① \times 2.52 - 5.81$	
ELPLW08	Minimum	$③ (cm) = (inches) ① \times 2.02 - 3.98$	0.93 - 1.30
	Maximum	$③ (cm) = (inches) ① \times 2.84 - 5.13$	
ELPLW06	Minimum	$③ (cm) = (inches) ① \times 2.815 - 7.47$	1.27 - 1.74
	Maximum	$③ (cm) = (inches) ① \times 3.81 - 6.97$	
ELPLM08	Minimum	$③ (cm) = (inches) ① \times 2.48 - 5.10$	1.14 - 1.82
	Maximum	$③ (cm) = (inches) ① \times 3.98 - 4.54$	
ELPLM09 ELPLM15	Minimum	$③ (cm) = (inches) ① \times 3.70 - 8.09$	1.69 - 2.75
	Maximum	$③ (cm) = (inches) ① \times 5.98 - 8.00$	
ELPLM10	Minimum	$③ (cm) = (inches) ① \times 5.72 - 13.19$	2.61 - 3.99
	Maximum	$③ (cm) = (inches) ① \times 8.70 - 13.07$	
ELPLM11	Minimum	$③ (cm) = (inches) ① \times 8.39 - 23.84$	3.80 - 5.81
	Maximum	$③ (cm) = (inches) ① \times 12.71 - 23.54$	
ELPLL08	Minimum	$③ (cm) = (inches) ① \times 12.46 - 32.22$	5.66 - 7.96
	Maximum	$③ (cm) = (inches) ① \times 17.41 - 31.78$	

Projection lens	Distance from the center of the lens to the base of the screen
ELPLX02 ELPLX02W ELPLX02S ELPLX02WS	$④ (+) (cm) = (inches) ① \times 0.34$ $④ (-) (cm) = (inches) ① \times 0.07$
ELPLU03 ELPLU03S ELPLW05 ELPLM08	$④ (+) (cm) = (inches) ① \times 0.33$ $④ (-) (cm) = (inches) ① \times 1.02$
ELPLU04 ELPLW08 ELPLW06 ELPLM09 ELPLM15 ELPLM10 ELPLM11 ELPLL08	$④ (+) (cm) = (inches) ① \times 0.20$ $④ (-) (cm) = (inches) ① \times 1.54$

Projection lens	Projection distance formula		Throw ratio (projection distance/x)
ELPLX02 ELPLX02W ELPLX02S ELPLX02WS	-	③ (cm) = (inches) ① × 0.81-3.41	0.34
ELPLU03 ELPLU03S	Minimum	③ (cm) = (inches) ① × 1.10-3.47	0.46-0.56
	Maximum	③ (cm) = (inches) ① × 1.32-3.28	
ELPLU04	Minimum	③ (cm) = (inches) ① × 1.48-5.23	0.62-0.75
	Maximum	③ (cm) = (inches) ① × 1.79-5.30	
ELPLW05	Minimum	③ (cm) = (inches) ① × 1.79-7.87	0.74-1.04
	Maximum	③ (cm) = (inches) ① × 2.46-5.81	
ELPLW08	Minimum	③ (cm) = (inches) ① × 1.97-3.98	0.83-1.17
	Maximum	③ (cm) = (inches) ① × 2.77-5.13	
ELPLW06	Minimum	③ (cm) = (inches) ① × 2.74-7.47	1.15-1.57
	Maximum	③ (cm) = (inches) ① × 3.72-6.97	
ELPLM08	Minimum	③ (cm) = (inches) ① × 2.42-5.10	1.02-1.64
	Maximum	③ (cm) = (inches) ① × 3.88-4.54	
ELPLM09 ELPLM15	Minimum	③ (cm) = (inches) ① × 3.61-8.09	1.52-2.47
	Maximum	③ (cm) = (inches) ① × 5.84-8.00	
ELPLM10	Minimum	③ (cm) = (inches) ① × 5.58-13.19	2.34-3.59
	Maximum	③ (cm) = (inches) ① × 8.48-13.07	
ELPLM11	Minimum	③ (cm) = (inches) ① × 8.19-23.84	3.42-5.23
	Maximum	③ (cm) = (inches) ① × 12.40-23.54	
ELPLL08	Minimum	③ (cm) = (inches) ① × 12.16-32.22	5.09-7.16
	Maximum	③ (cm) = (inches) ① × 16.98-31.78	

Projection lens	Distance from the center of the lens to the base of the screen
ELPLX02 ELPLX02W ELPLX02S ELPLX02WS	④ (+) (cm) = (inches) ① × 0.49 ④ (-) (cm) = (inches) ① × 0.09
ELPLU03 ELPLU03S ELPLW05 ELPLM08	④ (+) (cm) = (inches) ① × 0.16 ④ (-) (cm) = (inches) ① × 0.84
ELPLU04 ELPLW08 ELPLW06 ELPLM09 ELPLM15 ELPLM10 ELPLM11 ELPLL08	④ (+) (cm) = (inches) ① × 0.35 ④ (-) (cm) = (inches) ① × 1.35

16:6

Projection lens	Projection distance formula		Throw ratio (projection distance/x)
ELPLX02 ELPLX02W ELPLX02S ELPLX02WS	-	③ (cm) = (inches) ① × 0.82-3.41	0.34
ELPLU03 ELPLU03S	Minimum	③ (cm) = (inches) ① × 1.12-3.47	0.46-0.56
	Maximum	③ (cm) = (inches) ① × 1.34-3.28	
ELPLU04	Minimum	③ (cm) = (inches) ① × 1.51-5.23	0.62-0.75
	Maximum	③ (cm) = (inches) ① × 1.82-5.30	
ELPLW05	Minimum	③ (cm) = (inches) ① × 1.82-7.87	0.74-1.04
	Maximum	③ (cm) = (inches) ① × 2.51-5.81	
ELPLW08	Minimum	③ (cm) = (inches) ① × 2.01-3.98	0.83-1.17
	Maximum	③ (cm) = (inches) ① × 2.82-5.13	
ELPLW06	Minimum	③ (cm) = (inches) ① × 2.79-7.47	1.15-1.57
	Maximum	③ (cm) = (inches) ① × 3.79-6.97	
ELPLM08	Minimum	③ (cm) = (inches) ① × 2.47-5.10	1.02-1.64
	Maximum	③ (cm) = (inches) ① × 3.95-4.54	
ELPLM09 ELPLM15	Minimum	③ (cm) = (inches) ① × 3.68-8.09	1.52-2.47
	Maximum	③ (cm) = (inches) ① × 5.95-8.00	
ELPLM10	Minimum	③ (cm) = (inches) ① × 5.69-13.19	2.34-3.59
	Maximum	③ (cm) = (inches) ① × 8.64-13.07	
ELPLM11	Minimum	③ (cm) = (inches) ① × 8.34-23.84	3.42-5.23
	Maximum	③ (cm) = (inches) ① × 12.63-23.54	
ELPLL08	Minimum	③ (cm) = (inches) ① × 12.38-32.22	5.09-7.16
	Maximum	③ (cm) = (inches) ① × 17.3-31.78	

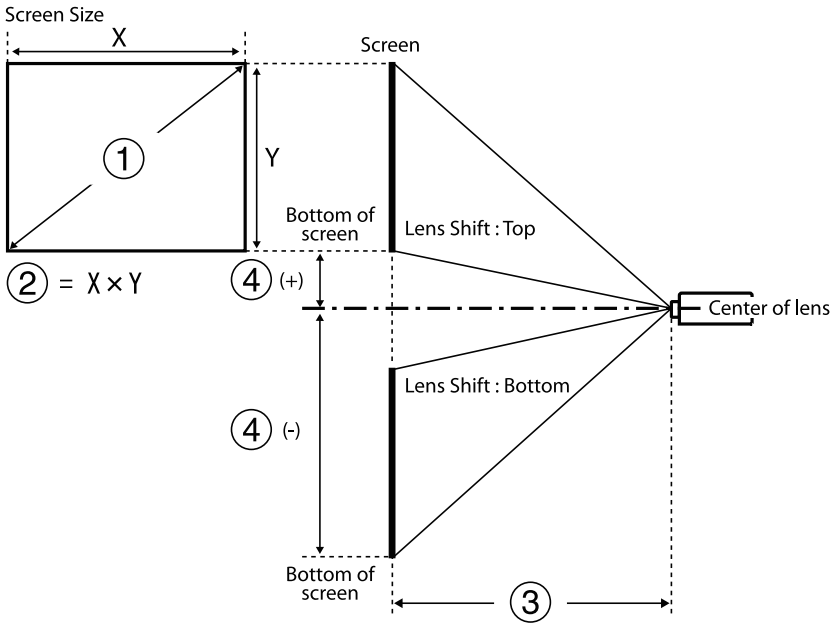
Projection lens	Distance from the center of the lens to the base of the screen
ELPLX02 ELPLX02W ELPLX02S ELPLX02WS	④ (+) (cm) = (inches) ① × 0.56 ④ (-) (cm) = (inches) ① × 0.16
ELPLU03 ELPLU03S ELPLW05 ELPLM08	④ (+) (cm) = (inches) ① × 0.1 ④ (-) (cm) = (inches) ① × 0.79
ELPLU04 ELPLW08 ELPLW06 ELPLL08 ELPLM09 ELPLM10 ELPLM11 ELPLM15	④ (+) (cm) = (inches) ① × 0.42 ④ (-) (cm) = (inches) ① × 1.31

Projection Distance

The projection distances are approximate values.

Detailed projection simulations are available on our Web site. Please use them, as needed.

<https://www.epson.jp/products/bizprojector/simulator/>



- ① Screen size (inches)
- ② Screen size (Width × Height) (cm)
- ③ Projection distance (Minimum: Wide to Maximum: Tele) (cm)
- ④ Distance from the center of the lens to the bottom of the screen (cm)

When you project an over 500 inches image, the image may become a little bit blurred.

16:9

ELPLX02S/ELPLX02WS/ELPLX02/ELPLX02W

①	②	③	④
Inches	Width × Height	ELPLX02S/ELPLX02WS/ELPLX02/ELPLX02W	
100	221 × 125	73	-6 - 31
110	244 × 137	81	-7 - 34
120	266 × 149	89	-7 - 38
150	332 × 187	112	-9 - 47
200	443 × 249	150	-12 - 63
300	664 × 374	227	-19 - 94
500	1107 × 623	380	-31 - 157
600	1328 × 747	457	-37 - 181
800	1771 × 996	611	-50 - 251
1000	2214 × 1245	764	-62 - 313

ELPLU03/ELPLU03S/ELPLM08

①	②	③		④
Inches	Width × Height	ELPLU03 ELPLU03S	ELPLM08	
80	177 × 100	80-97	179-290	-76 - -24
100	221 × 125	101-122	225-363	-94 - -30
120	266 × 149	121-147	271-437	-113 - -36
150	332 × 187	153-184	340-547	-142 - -45
200	443 × 249	205-247	455-731	-189 - -60
250	553 × 311	257-309	570-915	-236 - -75
300	664 × 374	309-372	684-1099	-283 - -90
500	1107 × 623	517-622	1144-1835	-472 - -150
800	1771 × 996	830-998	1834-2939	-756 - -241
1000	2214 × 1245	1038-1248	2293-3674	-945 - -301

ELPLU04/ELPLW06/ELPLW08/ELPLM09/ELPLM15/ELPLM10/ELPLM11/ELPLL08

①	②	③							④
Inches	Width × Height	ELPLU04	ELPLW06	ELPLW08	ELPLM09 ELPLM15	ELPLM10	ELPLM11	ELPLL08	
60	133 × 75	79-96	148-205	108-153	198-324	304-470	442-682	659-934	-86 - 11
80	177 × 100	107-130	200-275	146-205	266-435	410-631	597-917	890-1256	-114 - 14
100	221 × 125	135-164	252-346	183-258	335-546	516-791	752-1152	1121-1578	-143 - 18
120	266 × 149	163-198	304-416	220-310	403-656	622-952	908-1387	1351-1900	-171 - 22
150	332 × 187	205-249	382-522	276-389	506-822	781-1194	1140-1740	1697-2384	-214 - 27
200	443 × 249	276-333	512-699	370-520	677-1099	1046-1596	1529-2327	2273-3189	-285 - 36
300	664 × 374	416-503	772-1052	557-783	1020-1653	1575-2400	2305-3503	3426-4799	-428 - 54
500	1107 × 623	697-841	1291-1757	931-1309	1705-2760	2634-4010	3857-5853	5732-8019	-713 - 90
800	1771 × 996	1119-1349	2070-2816	1491-2097	2733-4421	4222-6423	6186-9380	9190-12850	-1141 - 145
1000	2214 × 1245	1399-1688	2589-3522	1865-2623	3419-5528	5280-8032	7738-11730	11496- 16070	-1426 - 181

ELPLW05

①	②	③	④
Inches	Width × Height	ELPLW05	
60	133 × 75	94-134	-57 - -18
80	177 × 100	128-181	-76 - -24
100	221 × 125	161-228	-94 - -30
120	266 × 149	195-274	-113 - -36
150	332 × 187	246-344	-142 - -45
200	443 × 249	331-461	-189 - -60
300	664 × 374	500-695	-283 - -90
500	1107 × 623	839-1162	-472 - -150
800	1771 × 996	1346-1862	-756 - -241
1000	2214 × 1245	1685-2329	-945 - -301

4:3

ELPLX02S/ELPLX02WS/ELPLX02/ELPLX02W

①	②	③	④
Inches	Width × Height	ELPLX02S/ELPLX02WS/ELPLX02/ELPLX02W	
100	203 × 152	91	-8 - 38
110	224 × 168	100	-8 - 42
120	244 × 183	109	-9 - 46
150	305 × 229	138	-11 - 58
200	406 × 305	185	-15 - 77
300	610 × 457	278	-23 - 115
500	1016 × 762	466	-38 - 192
600	1219 × 914	560	-46 - 230
800	1626 × 1219	748	-61 - 307

ELPLU03/ELPLU03S/ELPLM08

①	②	③		④
Inches	Width × Height	ELPLU03 ELPLU03S	ELPLM08	
80	163 × 122	98-119	220-356	-92 - -29
100	203 × 152	124-150	276-446	-116 - 37
120	244 × 183	149-180	332-536	-139 - -44
150	305 × 229	188-226	417-671	- 173 - -55
200	406 × 305	251-303	558-896	-231 - -74
250	508 × 381	315-380	698-1121	-289 - -92
300	610 × 457	379-456	839-1346	-347 - -110
500	1016 × 762	634-762	1401-2247	-578 - -184
800	1626 × 1219	1016-1222	2245-3597	-925 - -294

ELPLU04/ELPLW06/ELPLW08/ELPLM09/ELPLM15/ELPLM10/ELPLM11/ELPLL08

①	②	③							④
Inches	Width × Height	ELPLU04	ELPLW06	ELPLW08	ELPLM09 ELPLM15	ELPLM10	ELPLM11	ELPLL08	
60	122 × 91	98-119	183-252	133-188	244-399	376-578	546-840	814-1151	-105 - 13
80	163 × 122	132-160	247-338	179-252	327-534	505-775	736-1127	1096-1545	-140 - 18
100	203 × 152	167-202	310-425	225-316	411-670	635-972	926-1415	1379-1939	-175 - 22
120	244 × 183	201-243	374-511	271-381	495-805	764-1168	1116-1703	1661-2333	-209 - 27
150	305 × 229	253-306	469-641	339-477	621-1008	959-1464	1401-2134	2084-2924	-262 - 33
200	406 × 305	339-409	628-857	453-638	831-1347	1283-1956	1876-2853	2789-3909	-349 - 44
300	610 × 457	511-616	946-1289	682-960	1250-2025	1930-2941	2826-4292	4200-5880	-524 - 66
500	1016 × 762	854-1031	1582-2152	1140-1603	2089-3380	3226-4910	4726-7169	7022-9821	-873 - 111
800	1626 × 1219	1370-1652	2535-3448	1826-2568	3347-5412	5170-7864	7576-11484	11254-15733	-1396 - 177

ELPLW05

①	②	③	④
Inches	Width × Height	ELPLW05	
60	122 × 91	116-166	-69 - -22
80	163 × 122	158-223	-92 - -29
100	203 × 152	199-280	-116 - -37
120	244 × 183	241-337	-139 - -44
150	305 × 229	303-423	-173 - -55
200	406 × 305	406-566	-231 - -74
300	610 × 457	614-825	-347 - -110
500	1016 × 762	1028-1423	-578 - -184
800	1626 × 1219	1650-2280	-925 - -294

16:10**ELPLX02S/ELPLX02WS/ELPLX02/ELPLX02W**

①	②	③	④
Inches	Width × Height	ELPLX02S/ELPLX02WS/ELPLX02/ELPLX02W	
100	215 × 135	80	-7 - 34
110	237 × 148	88	-7 - 37
120	258 × 162	96	-8 - 41
150	323 × 202	121	-10 - 51
200	431 × 269	163	-14 - 68
300	646 × 404	246	-20 - 102
500	1077 × 673	412	-34 - 169
600	1292 × 808	495	-41 - 203
800	1723 × 1077	661	-54 - 271

ELPLU03/ELPLU03S/ELPLM08

①	②	③		④
Inches	Width × Height	ELPLU03 ELPLU03S	ELPLM08	
80	172 × 108	87-105	194-314	-82 - -26
100	215 × 135	109-132	243-393	-102 - -33
120	258 × 162	132-159	293-473	-123 - -39
150	323 × 202	165-200	368-592	-153 - -49
200	431 × 269	222-267	492-791	-204 - -65
250	538 × 337	278-335	616-990	-255 - -81
300	646 × 404	334-402	740-1189	-306 - -98
500	1077 × 673	559-673	1237-1984	-511 - -163
800	1723 × 1077	897-1079	1983-3177	-817 - -260

ELPLU04/ELPLW06/ELPLW08/ELPLM09/ELPLM15/ELPLM10/ELPLM11/ELPLL08

①	②	③							④
Inches	Width × Height	ELPLU04	ELPLW06	ELPLW08	ELPLM09 ELPLM15	ELPLM10	ELPLM11	ELPLL08	
60	129 × 81	86-105	161-222	117-165	214-351	330-509	480-739	716-1013	-92 - 12
80	172 × 108	116-141	217-298	158-222	288-471	445-683	647-993	965-1361	-123 - 16
100	215 × 135	147-178	273-374	198-279	362-590	559-857	815-1247	1214-1709	-154 - 20
120	258 × 162	177-214	329-451	238-336	436-710	674-1031	983-1501	1463-2057	-185 - 23
150	323 × 202	223-269	414-565	299-421	548-890	845-1292	1235-1882	1837-2579	-231 - 29
200	431 × 269	298-361	554-756	400-563	733-1189	1131-1726	1654-2518	2460-3450	-308 - 39
300	646 × 404	450-544	835-1137	602-847	1103-1787	1704-2596	2493-3788	3706-5190	-462 - 59
500	1077 × 673	754-910	1396-1900	1006-1415	1844-2984	2848-4336	4172-6330	6199-8672	-771 - 98
800	1723 × 1077	1210-1459	2238-3045	1612-2268	2956-4780	4565-6945	6689-10142	9938-13894	-1233 - 156

ELPLW05

①	②	③	④
Inches	Width × Height	ELPLW05	
60	129 × 81	102-146	-61 - -20
80	172 × 108	139-196	-82 - -26
100	215 × 135	175-247	-102 - -33
120	258 × 162	212-297	-123 - -39
150	323 × 202	267-373	-153 - -49
200	431 × 269	358-499	-204 - -65
300	646 × 404	541-752	-306 - -98
500	1077 × 673	907-1256	-511 - -163
800	1723 × 1077	1456-2014	-817 - -260

21:9

ELPLX02S/ELPLX02WS/ELPLX02/ELPLX02W

①	②	③	④
Inches	Width × Height	ELPLX02S/ELPLX02WS/ELPLX02/ELPLX02W	
100	233 × 100	78	9 - 49
110	257 × 110	86	10 - 54
120	280 × 120	94	11 - 58
150	350 × 150	118	14 - 73
200	467 × 200	159	18 - 97
300	700 × 300	240	27 - 146
500	1167 × 500	401	45 - 243
600	1401 × 600	482	54 - 292
800	1868 × 800	644	72 - 389

ELPLU03/ELPLU03S/ELPLM08

①	②	③		④
Inches	Width × Height	ELPLU03 ELPLU03S	ELPLM08	
80	187 × 80	84-102	189-306	-67 --13
100	233 × 100	106-129	237-383	-84 --16
120	280 × 120	128-155	286-461	-101 --19
150	350 × 150	161-195	359-577	-126 --24
200	467 × 200	216-261	480-771	-168 --32
250	584 × 250	271-327	601-965	-210 --40
300	700 × 300	326-393	722-1159	-252 --48
500	1167 × 500	546-656	1207-1935	-420 --80
800	1868 × 800	875-1052	1934-3099	-672 --129

ELPLU04/ELPLW06/ELPLW08/ELPLM09/ELPLM15/ELPLM10/ELPLM11/ELPLL08

①	②	③							④
Inches	Width × Height	ELPLU04	ELPLW06	ELPLW08	ELPLM09 ELPLM15	ELPLM10	ELPLM11	ELPLL08	
60	140 × 60	84-102	157-216	114-161	209-342	322-496	467-720	697-987	-81 - 21
80	187 × 80	113-138	212-291	154-217	281-459	433-666	631-968	940-1327	-108 - 28
100	233 × 100	143-173	266-365	193-272	353-576	545-835	795-1216	1183-1666	-135 - 35
120	280 × 120	173-209	321-440	233-327	426-693	657-1005	958-1464	1427-2006	-162 - 42
150	350 × 150	217-263	403-551	292-411	534-868	824-1260	1204-1836	1791-2515	-202 - 52
200	467 × 200	291-352	540-737	390-549	715-1160	1103-1684	1613-2456	2399-3364	-269 - 69
300	700 × 300	439-530	814-1109	587-826	1076-1743	1662-2532	2432-3695	3615-5062	-404 - 104
500	1167 × 500	735-888	1362-1854	982-1381	1799-2911	2778-4229	4069-6174	6046-8459	-674 - 173
800	1868 × 800	1180-1423	2183-2970	1573-2212	2883-4663	4453-6774	6525-9893	9694-13553	-1078 - 277

ELPLW05

①	②	③	④
Inches	Width × Height	ELPLW05	
60	140 × 60	99-142	-50 --10
80	187 × 80	135-191	-67 --13
100	233 × 100	171-240	-84 --16
120	280 × 120	206-290	-101 --19
150	350 × 150	260-364	-126 --24
200	467 × 200	349-487	-168 --32
300	700 × 300	528-733	-252 --48
500	1167 × 500	885-1225	-420 --80
800	1868 × 800	1420-1964	-672 --129

16:6

ELPLX02S/ELPLX02WS/ELPLX02/ELPLX02W

①	②	③	④
Inches	Width × Height	ELPLX02S/ELPLX02WS/ELPLX02/ELPLX02W	
100	238 × 89	79	16 - 56
110	262 × 98	87	17 - 62
120	285 × 107	96	19 - 67
150	357 × 134	120	23 - 84
200	476 × 178	162	31 - 112
300	713 × 268	244	47 - 168
500	1189 × 446	409	78 - 280
600	1427 × 535	491	94 - 336
800	1903 × 713	656	125 - 448

ELPLU03/ELPLU03S/ELPLM08

①	②	③		④
Inches	Width × Height	ELPLU03 ELPLU03S	ELPLM08	
80	190 × 71	86-104	192-312	-63 -- 8
100	238 × 89	108-131	242-391	-79 -- 10
120	285 × 107	131-158	291-470	-95 -- 12
150	357 × 134	164-198	365-588	-119 -- 15
200	476 × 178	220-266	489-786	-158 -- 20
250	595 × 223	276-333	612-983	-198 -- 25
300	713 × 268	332-400	736-1181	-238 -- 30
500	1189 × 446	556-669	1230-1972	-396 -- 50
800	1903 × 713	891-1078	1970-3157	-633 -- 80

ELPLU04/ELPLW06/ELPLW08/ELPLM09/ELPLM15/ELPLM10/ELPLM11/ELPLL08

①	②	③							④
Inches	Width × Height	ELPLU04	ELPLW06	ELPLW08	ELPLM09 ELPLM15	ELPLM10	ELPLM11	ELPLL08	
60	143 × 54	85-104	160-220	116-164	213-349	328-506	476-734	711-1006	-79 - 25
80	190 × 71	115-140	216-296	157-221	286-468	442-678	643-987	959-1352	-105 - 33
100	238 × 89	146-177	272-372	197-277	360-587	555-851	810-1239	1206-1698	-131 - 42
120	285 × 107	176-213	327-448	237-334	434-706	669-1024	977-1492	1454-2044	-157 - 50
150	357 × 134	221-268	411-562	297-418	544-884	840-1283	1227-1871	1825-2563	-196 - 63
200	476 × 178	297-358	550-751	398-560	728-1181	1124-1716	1644-2502	2445-3428	-262 - 83
300	713 × 268	447-540	829-1130	598-842	1096-1776	1693-2580	2478-3765	3683-5158	-393 - 125
500	1189 × 446	749-904	1387-1888	1000-1406	1833-2966	2830-4308	4145-6290	6160-8617	-654 - 209
800	1903 × 713	1202-1450	2224-3026	1602-2253	2937-4750	4536-6901	6647-10078	9875-13807	-1047 - 334

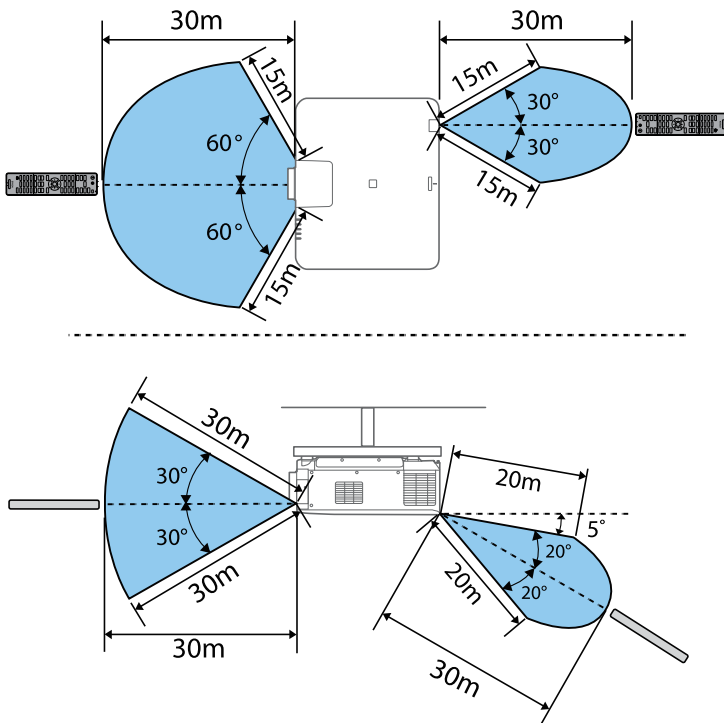
ELPLW05

①	②	③	④
Inches	Width × Height	ELPLW05	
60	143 × 54	101-145	-48 - -6
80	190 × 71	138-195	-63 - -8
100	238 × 89	174-245	-79 - -10
120	285 × 107	210-295	-95 - -12
150	357 × 134	265-370	-119 - -15
200	476 × 178	356-496	-158 - -20
300	713 × 268	538-747	-238 - -30
500	1189 × 446	901-1248	-396 - -50
800	1903 × 713	1447-2001	-633 - -80

Remote Control Operation

The remote control lets you control the projector from almost anywhere in the room.

Make sure that you aim the remote control at the projector's receivers within the distance and angles listed here.



- Depending on your installation environment, the available distance and angles may be shortened.
- Avoid using the remote control in conditions with bright fluorescent lights or in direct sunlight, or the projector may not respond to commands. If you are not going to use the remote control for a long time, remove the batteries.
- When you use multiple projectors in the same room or when there are obstacles around the remote receiver, connect the remote control to the projector using the optional remote control cable set. When the remote control is connected, the remote receiver on the projector is disabled.

■ Keystone Correction Range

The table here lists the adjustment range for each correction method.

H/V-Keystone

If the projector's angle of tilt is within the following range, you can correct distortion in the projected image by using the H/V-Keystone correction function.

Lens Model Number	Vertical Direction	Horizontal Direction
ELPLX02 ELPLX02W ELPLX02S ELPLX02WS	-17° to +17°	-17° to +17°
ELPLU03	-30° to +30°	-30° to +30°
ELPLU03S	-30° to +30°	-30° to +30°
ELPLU04	-32° to +32°	-30° to +30°
ELPLW05	-40° to +40°	-30° to +30°
ELPLW08	-36° to +36°	-30° to +30°
ELPLW06	-40° to +40°	-30° to +30°
ELPLM08	-45° to +45°	-30° to +30°
ELPLM09	-45° to +45°	-30° to +30°
ELPLM15	-45° to +45°	-30° to +30°
ELPLM10	-45° to +45°	-30° to +30°
ELPLM11	-45° to +45°	-30° to +30°
ELPLL08	-45° to +45°	-30° to +30°

Curved Surface

You can correct the image shape if the curved surface is a part of an exact circle.

The values in the table are the minimum values for R/L in the illustration (Approximate value when projecting at maximum zoom.) If the R/L value is lower than the value in the table, you cannot correct the image shape.

You can confirm the maximum projection distance (L) using the following formula.

$L = R/\text{value in the table}$

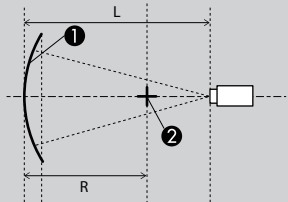
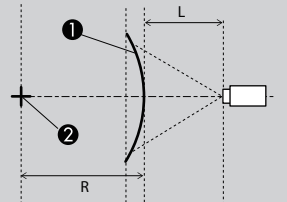
Horizontally curved surface

Lens Model Number	Concave		Convex	
	Vertical Lens Shift: Home Position	Vertical lens shift: Top	Vertical Lens Shift: Home Position	Vertical lens shift: Top
ELPLX02 ELPLX02W ELPLX02S ELPLX02WS	-	3.01	-	8.84
ELPLU03	1	1.03	4.03	4.05
ELPLU03S	1	1.03	4.03	4.05
ELPLU04	0.46	0.52	2.33	2.51
ELPLW05	0.41	0.41	1.69	1.69

Lens Model Number	Concave		Convex	
	<p>①: Screen ②: Center of the circle of which the curved surface is an arc L: Projection distance R: Radius of the circle of which the curved surface is an arc</p>		<p>①: Screens ②: Center of the circle of which the curved surface is an arc L: Projection distance R: Radius of the circle of which the curved surface is an arc</p>	
	Vertical Lens Shift: Home Position	Vertical lens shift: Top	Vertical Lens Shift: Home Position	Vertical lens shift: Top
ELPLW08	0.39	0.41	1.37	1.46
ELPLW06	0.33	0.34	0.81	0.86
ELPLM08	0.36	0.36	0.98	0.98
ELPLM09	0.27	0.28	0.54	0.56
ELPLM15	0.27	0.28	0.54	0.56
ELPLM10	0.2	0.2	0.3	0.31
ELPLM11	0.14	0.15	0.19	0.19
ELPLL08	0.1	0.1	0.13	0.13

Vertically curved surface

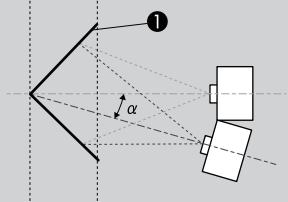
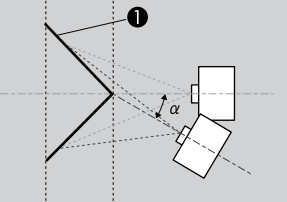
Lens Model Number	Concave		Convex	
	<p>①: Screens ②: Center of the circle of which the curved surface is an arc L: Projection distance R: Radius of the circle of which the curved surface is an arc</p>		<p>①: Screens ②: Center of the circle of which the curved surface is an arc L: Projection distance R: Radius of the circle of which the curved surface is an arc</p>	
	Vertical Lens Shift: Home Position	Vertical lens shift: Top	Vertical Lens Shift: Home Position	Vertical lens shift: Top
ELPLX02 ELPLX02W ELPLX02S ELPLX02WS	-	4.57	-	3.79
ELPLU03	0.48	0.58	1.62	1.68
ELPLU03S	0.48	0.58	1.62	1.68
ELPLU04	0.36	0.73	0.97	1.15
ELPLW05	0.32	0.33	0.72	0.74
ELPLW08	0.3	0.44	0.6	0.71
ELPLW06	0.23	0.29	0.37	0.43
ELPLM08	0.25	0.26	0.44	0.46

Lens Model Number	Concave		Convex	
	 <p>①: Screens ②: Center of the circle of which the curved surface is an arc L: Projection distance R: Radius of the circle of which the curved surface is an arc</p>		 <p>①: Screens ②: Center of the circle of which the curved surface is an arc L: Projection distance R: Radius of the circle of which the curved surface is an arc</p>	
	Vertical Lens Shift: Home Position	Vertical lens shift: Top	Vertical Lens Shift: Home Position	Vertical lens shift: Top
ELPLM09	0.18	0.22	0.25	0.29
ELPLM15	0.18	0.22	0.25	0.29
ELPLM10	0.13	0.15	0.15	0.17
ELPLM11	0.11	0.11	0.1	0.11
ELPLL08	0.08	0.08	0.07	0.08

Corner Wall

The α in the illustration is the maximum angle in which the projector can move. See the table below for detailed values. (Approximate value when projecting at maximum zoom.)

Horizontal corner (correction to bilateral symmetry by using corners as the center line)

Lens Model Number	Concave		Convex	
	 <p>①: Screen α: Movable angle of the projector</p>		 <p>①: Screen α: Movable angle of the projector</p>	
	Vertical Lens Shift: Home Position	Vertical lens shift: Top	Vertical Lens Shift: Home Position	Vertical lens shift: Top
ELPLX02 ELPLX02W ELPLX02S ELPLX02WS	-	-	-	-
ELPLU03	23.5	19.8	-	-
ELPLU03S	23.5	19.8	-	-
ELPLU04	28.5	12.1	-	-
ELPLW05	31.5	25.4	2.7	2.7
ELPLW08	32.5	17.4	5.1	4.3
ELPLW06	32.7	22.6	11.1	10.3
ELPLM08	33.1	28.9	9.2	9.2
ELPLM09	31.8	26.6	15.1	14.5
ELPLM15	31.8	26.6	15.1	14.5
ELPLM10	30.6	30.1	19.5	19

Lens Model Number	Concave		Convex	
	Vertical Lens Shift: Home Position	Vertical lens shift: Top	Vertical Lens Shift: Home Position	Vertical lens shift: Top
ELPLM11	29.8	29.4	21.9	21.6
ELPLL08	29.2	28.9	23.7	23.5

Vertical corner (correction to horizontal symmetry by using corners as the center line)

Lens Model Number	Concave		Convex	
	Vertical Lens Shift: Home Position	Vertical lens shift: Top	Vertical Lens Shift: Home Position	Vertical lens shift: Top
ELPLX02 ELPLX02W ELPLX02S ELPLX02WS	-	-	-	-
ELPLU03	33.2	16.8	5	-
ELPLU03S	33.2	16.8	5	-
ELPLU04	32.8	1.9	10.6	-
ELPLW05	32.1	21.2	13.4	4.6
ELPLW08	31.9	8.9	15	-
ELPLW06	30.9	12.4	18.5	3.6
ELPLM08	31.2	23.1	17.3	10.3
ELPLM09	27	12.8	20.7	8.7
ELPLM15	27	12.8	20.7	8.7
ELPLM10	23.6	14.5	20.9	12
ELPLM11	22.2	15.9	20.3	14
ELPLL08	21.5	17.2	20.2	15.8

■ Curved Surface Correction Range for Camera Assist

You can correct the image shape if the curved surface is a part of an exact circle.

The values in the table are the minimum values for R/L in the illustration They are determined in the following conditions:

- Projecting at maximum zoom
- R is 280 cm or more
- Projecting a 150 inch image per one projector

You may not be able to correct the image shape if the value is lower than the R/L value in the table.

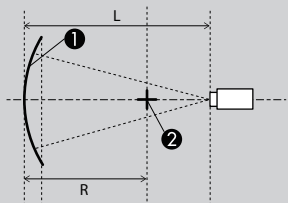
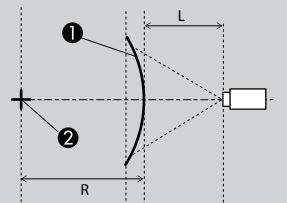
You can confirm the maximum projection distance (L) using the following formula.

$L = R/\text{value in the table}$

Horizontally curved surface

Lens Model Number	Concave		Convex	
	<p>①: Screens ②: Center of the circle of which the curved surface is an arc L: Projection distance R: Radius of the circle of which the curved surface is an arc</p>		<p>①: Screens ②: Center of the circle of which the curved surface is an arc L: Projection distance R: Radius of the circle of which the curved surface is an arc</p>	
	Vertical Lens Shift: Home Position	Vertical lens shift: Top	Vertical Lens Shift: Home Position	Vertical lens shift: Top
ELPLX02 ELPLX02W ELPLX02S ELPLX02WS	-	2.84	-	8.20
ELPLU03	1.81	1.81	7.10	7.10
ELPLU03S	1.81	1.81	7.10	7.10
ELPLU04	1.35	1.35	3.60	3.60
ELPLW05	1.13	1.13	2.30	2.30
ELPLW08	1.01	1.01	1.32	1.39
ELPLW06	0.73	0.73	0.79	0.82
ELPLM08	0.82	0.82	0.94	0.95
ELPLM09	0.55	0.55	0.55	0.55
ELPLM15	0.55	0.55	0.55	0.55
ELPLM10	0.36	0.36	0.36	0.36
ELPLM11	0.24	0.24	0.24	0.24
ELPLL08	-	-	-	-

Vertically curved surface

Lens Model Number	Concave		Convex	
	 <p> ①: Screens ②: Center of the circle of which the curved surface is an arc L: Projection distance R: Radius of the circle of which the curved surface is an arc </p>		 <p> ①: Screens ②: Center of the circle of which the curved surface is an arc L: Projection distance R: Radius of the circle of which the curved surface is an arc </p>	
	Vertical Lens Shift: Home Position	Vertical lens shift: Top	Vertical Lens Shift: Home Position	Vertical lens shift: Top
ELPLX02 ELPLX02W ELPLX02S ELPLX02WS	-	2.84	-	4.22
ELPLU03	1.81	1.81	1.81	1.81
ELPLU03S	1.81	1.81	1.81	1.81
ELPLU04	1.35	1.35	1.35	1.35
ELPLW05	1.13	1.13	1.13	1.13
ELPLW08	1.01	1.01	1.01	1.01
ELPLW06	0.73	0.73	0.73	0.73
ELPLM08	0.82	0.82	0.82	0.82
ELPLM09	0.55	0.55	0.55	0.55
ELPLM15	0.55	0.55	0.55	0.55
ELPLM10	0.36	0.36	0.36	0.36
ELPLM11	0.24	0.24	0.24	0.24
ELPLL08	-	-	-	-

■ Monitoring and Controlling the Projector

Check these sections to monitor and control the projector over a network.

Method	Details
Epson Projector Management	Allows you to control and monitor multiple Epson projectors on a network. You can download Epson Projector Management from the following Web site. https://epson.com/
Epson Projector Management Connected	Projector information is managed on a cloud server, so it can be remotely monitored and controlled from any device. For more information, visit the following Web site. https://www.projection-service.epson.com/epm-connected/
ESC/VP21 Command	When the projector is connected to a computer with an RS-232C cable, you can control the projector with communication commands.
ESC/VP.net Command	You can monitor the projector using ESC/VP.net commands.
Epson Web Control	By using the Web browser of a computer connected to the projector on a network, you can set the projector's functions and control the projector.
Web API	You can control the projector using Web API communication using API authentication (Digest authentication). For details, see "Web API Specifications for Projectors" on the following Web site. epson.sn
SNMP	Network administrators can install SNMP (Simple Network Management Protocol) software on network computers so they can monitor projectors. This projector supports SNMP agent version 1 (SNMPv1).
PJLink command	The projector complies with the PJLink Class2 standard established by the JBMIA. From a computer connected to the projector on a network, you can control the projector with PJLink commands. For more details on PJLink, see the following Web site. http://pjlink.jbmia.or.jp/
Art-Net command	Art-Net is an Ethernet communication protocol based on the TCP/IP protocol. You can control the projector by using a DMX controller or an application system.
sACN	An Ethernet communication protocol based on the TCP/IP protocol. You can control the projector by using a DMX controller or an application system. sACN communicates using the multicast method.
Crestron Connected	If you are using a Crestron Connected network monitoring and control system, you can set up your projector for use on the system. For additional information on Crestron Connected, visit the Crestron Web site. https://www.crestron.com/

■ ESC/VP21 Command List

When a command is input, the projector executes the command and returns a ":" (3Ah), and then accepts the next command.

If the command being processed terminates abnormally, an error message is output and a ":" is returned.

The following list shows the frequently used commands.

You can check all available commands in the ESC/VP21 Command List.

Function		Command	Setting Value/Response Value
Power	On	PWR ON	-
	Off	PWR OFF	-
Acquire power status		PWR?	00: Standby condition 01: Projecting 02: Warm-up status 03: Cooling status 04: Network monitoring status/ communication status 05: Error standby status 09: A/V standby
Source selection		SOURCE xx	30: HDMI1 52: USB 53: LAN 60: SDI 80: HDBaseT A0: HDMI2 F0: Cycle through all sources F1: Cycle through USB and LAN F2: Cycle through HDMI, HDBaseT and SDI
Acquire Source		SOURCE?	30: HDMI1 52: USB 53: LAN 60: SDI 80: HDBaseT A0: HDMI2
A/V Mute	On	MUTE ON	-
	Off	MUTE OFF	-
Acquire A/V Mute or Shutter status		MUTE?	ON: Close Shutter OFF: Open Shutter
Freeze	On	FREEZE ON	-
	Off	FREEZE OFF	-
Acquire freeze status		FREEZE?	ON: Execute Freeze OFF: Release Freeze
Volume	Up	VOL INC	-
	Down	VOL DEC	-
	Specify	VOL xxx	0-255
Acquire volume settings		VOL?	0-255
Acquire Laser Hours		LAMP?	Laser On Hours
Acquire Operation Hours		ONTIME?	Operation Hours

Add a Carriage Return (CR) code (0Dh) to the end of each command and transmit.

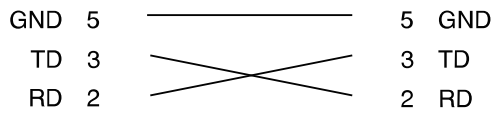
Contact Epson for more details.

■ Cable Layouts

Serial connection

- Connector shape: D-Sub 9-pin (male)
- Projector input port name: RS-232C
- Cable type: Crossover (null modem) cable

In the following illustration, the projector side is shown on the left, and the computer side on the right:



Signal name	Function
GND	Signal wire ground
TD	Transmit data
RD	Receive data

Communications protocol

- Default baud rate setting: 9,600 bps
- Data length: 8 bit
- Parity: None
- Stop-bit: 1 bit
- Flow control: None

■ PJLink Command List

The port number used for the PJLink search function is 4352 (UDP).

Function	Command	Setting Value/Response Value		Content	Notes
Power control instruction	POWR ?	0		Power-off (Standby/Error standby)	-
		1		Power-on (Light source on)	-
		2		Cooling status	-
		3		Warm-up status	-
Input switch instruction Input switch query	INPT INPT ?	32		HDMI1	-
		33		HDMI2	-
		34		SDI	-
		41		USB	-
		52		LAN	-
		56		HDBaseT	-
Input toggling list query	INST ?	32		HDMI1	Displays a list of the available input sources of the projector.
		33		HDMI2	
		34		SDI	
		41		USB	
		52		LAN	
		56		HDBaseT	
Error status query	ERST ?	First character	2	Fan Error	"0" is displayed when no error has occurred.
		Second character	2	Laser error Laser on error	
		Third character	1	High Temp Warning	
			2	Temperature error	
		Fourth character	2	Upper case open error	
		Sixth character	1	Other warnings	
2	Other errors				
A/V Mute status query	AVMT ?	30		A/V mute off	Does not support video mute off/on (11) or audio mute off/on (21).
		31		A/V mute on	
Projector name query	NAME ?	-		Projector Name	Displays the name set in [Network] - [Network Configuration] - [Basic] - [Projector Name] in the projector's menu.
Manufacture name information query	INF1 ?	EPSON		Manufacture name	-
Model name information query	INF2 ?	EPSON PQ2213B		EB-PQ2213B/CB-PQ2213B	-
		EPSON PQ2216B/ PQ2216W		EB-PQ2216B/PQ2216W CB-PQ2216B/PQ2216W	-
		EPSON PQ2220B		EB-PQ2220B/CB-PQ2220B	-
Class information query	CLSS ?	2		-	-
Light source number, lighting hour query	LAMP ?	[L1 light source usage time] [L1 light source query] (ESC/VP21 command: LAMP?, PWSTATUS?)		-	-

■ Class2 Command List

Function	Command	Setting Value/Response Value	Content	Notes
Request to search projector	SRCH ?	-	-	-
Response to projector search	ACKN	-	-	-
Status notification (link up)	LKUP =	-	-	When address is confirmed.
Status notification (error occurred)	ERST =	-	-	-
Status notification (changing power status)	POWR =	-	-	-
Status notification (changing input source)	INPT =	-	-	-
Serial number query	SNUM ?	11 digit numbers	Serial number of projector being used	-
Software version query	SVER ?	-	Firmware version of projector being used	-
Input port name query	INNM ?xx	(Source name)	-	xx is a 2 digit number used in the input toggling list query.
Input signal resolution query	IRES ?	(Horizontal resolution) × (Vertical resolution)	-	-
Panel resolution query	RRES ?	(Horizontal resolution) × (Vertical resolution)	Panel resolution of your projector	The value may vary depending on the [Screen Type] setting in the projector's menu.
Static function setting Static status query	FREZ FREZ ?	0	Freeze off	-
		1	Freeze on	-

■ Art-Net Channel Specifications

Channel/Function	Operation	Parameters	Default value	Description
1 Adjusting light (dimming)	0% - 100%	0 to 255	0	Adjusts the image brightness.
2 Shutter and A/V Mute control	A/V Mute off Shutter open	0 to 63	128	Closes/opens the Shutter.
	A/V Mute on Shutter closed	192 to 255		
3 Switch source	HDMI1	8 to 15	0	Switches to the specified source.
	HDMI2	16 to 23		
	HDBaseT	24 to 31		
	SDI	48 to 55		
	LAN	80 to 87		
	USB	96 to 103		
4 Lens Position	Move to home position	32 to 63	0	Moves the lens shift to the home position.
5 Horizontal Lens Shift	(+) lens adjustment (large)	0 to 31	128	Performs horizontal lens shift using the amount of movement specified.
	(+) lens adjustment (medium)	32 to 63		
	(+) lens adjustment (small)	64 to 95		
	(-) lens adjustment (small)	160 to 191		
	(-) lens adjustment (medium)	192 to 223		
	(-) lens adjustment (large)	224 to 255		
6 Vertical Lens Shift	(+) lens adjustment (large)	0 to 31	128	Performs vertical lens shift using the amount of movement specified.
	(+) lens adjustment (medium)	32 to 63		
	(+) lens adjustment (small)	64 to 95		
	(-) lens adjustment (small)	160 to 191		
	(-) lens adjustment (medium)	192 to 223		
	(-) lens adjustment (large)	224 to 255		
7 Electronic Zoom	(+) lens adjustment (large)	0 to 31	128	Performs electronic zoom using the specified amount of movement.
	(+) lens adjustment (medium)	32 to 63		
	(+) lens adjustment (small)	64 to 95		
	(-) lens adjustment (small)	160 to 191		
	(-) lens adjustment (medium)	192 to 223		
	(-) lens adjustment (large)	224 to 255		
8 Electronic focus	(+) lens adjustment (large)	0 to 31	128	Performs electronic focus using the specified amount of movement.
	(+) lens adjustment (medium)	32 to 63		
	(+) lens adjustment (small)	64 to 95		
	(-) lens adjustment (small)	160 to 191		
	(-) lens adjustment (medium)	192 to 223		
	(-) lens adjustment (large)	224 to 255		

Channel/Function	Operation	Parameters	Default value	Description
9 Electronic distortion	(+) lens adjustment (large)	0 to 31	128	Performs electronic distortion using the amount of movement specified.
	(+) lens adjustment (medium)	32 to 63		
	(+) lens adjustment (small)	64 to 95		
	(-) lens adjustment (small)	160 to 191		
	(-) lens adjustment (medium)	192 to 223		
	(-) lens adjustment (large)	224 to 255		
10 Load Lens Memory	Memory 1	16 to 31	0	Loads the specified lens memory.
	Memory 2	32 to 47		
	Memory 3	48 to 63		
	Memory 4	64 to 79		
	Memory 5	80 to 95		
	Memory 6	96 to 111		
	Memory 7	112 to 127		
	Memory 8	128 to 143		
	Memory 9	144 to 159		
	Memory 10	160 to 175		
11 Power control	Off	0 to 63	128	Turns the projector power on or off.
	Power on	192 to 255		
12 Geometry Correction	Off	0 to 15	255	Corrects the image shape.
	H/V-Keystone	16 to 31		
	Quick Corner	32 to 47		
	Point Correction	48 to 63		
	Arc Correction	64 to 79		
	Corner Wall Correction	80 to 95		
	Load Memory1	96 to 111		Loads image shape setting from memory.
	Load Memory2	112 to 127		
	Load Memory3	128 to 143		
13 Lock	Cannot control	0 to 127	0	Enables/disables Art-Net operations.
	Can control	128 to 255		
14 Freeze	Freeze off	32 to 95	128	Enables/disables Freeze.
	Freeze on	160 to 223		
15 Fade-in	0.0s	0 to 15	255	Specifies Fade-in time when the Shutter is released or the A/V Mute is turned off.
	0.5s	16 to 31		
	1.0s	32 to 47		
	1.5s	48 to 63		
	2.0s	64 to 79		
	2.5s	80 to 95		
	3.0s	96 to 111		
	3.5s	112 to 127		
	4.0s	128 to 143		
	5.0s	144 to 159		
	7.0s	160 to 175		
10.0s	176 to 191			

Channel/Function	Operation	Parameters	Default value	Description
16 Fade-out	0.0s	0 to 15	255	Specifies Fade-out time when the Shutter is executed or the A/V Mute is turned on.
	0.5s	16 to 31		
	1.0s	32 to 47		
	1.5s	48 to 63		
	2.0s	64 to 79		
	2.5s	80 to 95		
	3.0s	96 to 111		
	3.5s	112 to 127		
	4.0s	128 to 143		
	5.0s	144 to 159		
	7.0s	160 to 175		
	10.0s	176 to 191		
17 Light Source Control	0% - 100% (1% increments)	0 to 255	255	<ul style="list-style-type: none"> • Executes LUMLEVEL command for the specified brightness level when selecting 100-8%. • Executes A/V Mute when selecting less than 8%. • Fade-in/Fade-out settings are ignored.

Channel/Function	Operation	Parameters	Default value	Description
18 Content playback	Playlist 1	4 to 7	0	Plays the specified playlist.
	Playlist 2	8 to 11		
	Playlist 3	12 to 15		
	Playlist 4	16 to 19		
	Playlist 5	20 to 23		
	Playlist 6	24 to 27		
	Playlist 7	28 to 31		
	Playlist 8	32 to 35		
	Playlist 9	36 to 39		
	Playlist 10	40 to 43		
	Playlist 11	44 to 47		
	Playlist 12	48 to 51		
	Playlist 13	52 to 55		
	Playlist 14	56 to 59		
	Playlist 15	60 to 63		
	Playlist 16	64 to 67		
	Playlist 17	68 to 71		
	Playlist 18	72 to 75		
	Playlist 19	76 to 79		
	Playlist 20 80 to 83	80 to 83		
	Playlist 21 84 to 87	84 to 87		
	Playlist 22 88 to 91	88 to 91		
	Playlist 23 92 to 95	92 to 95		
	Playlist 24 96 to 99	96 to 99		
	Playlist 25 100 to 103	100 to 103		
	Playlist 26	104 to 107		
	Playlist 27	108 to 111		
	Playlist 28	112 to 115		
	Playlist 29	116 to 119		
	Playlist 30	120 to 123		
	Playlist 31	124 to 127		
	Playlist 32	128 to 131		
	Playlist 33	132 to 135		
	Playlist 34	136 to 139		
	Playlist 35	140 to 143		
	Playlist 36	144 to 147		
	Playlist 37	148 to 151		
	Playlist 38	152 to 155		
	Playlist 39	156 to 159		
	Playlist 40	160 to 163		
	Playlist 41	164 to 167		
	Playlist 42	168 to 171		
	Playlist 43	172 to 175		
	Playlist 44	176 to 179		

Channel/Function	Operation	Parameters	Default value	Description
18 Content playback	Playlist 45	180 to 183		
	Playlist 46	184 to 187		
	Playlist 47	188 to 191		
	Playlist 48	192 to 195		
	Playlist 49	196 to 199		
	Playlist 50	200 to 203		

When controlling the projector using Art-Net and operating the projector using the remote control or control panel, the settings and projector status for the DMX controller or application system may differ. When you want to control all channels in the projector, set channel 13 to "Cannot operate", and then return it to "Can operate".

■ Getting the Latest Version of the Documents

You can get the latest version of the manuals and specifications on the Epson Web site. Visit epson.jp/lcp/doc/, and enter your model name.

■ Trademarks

The terms HDMI, HDMI High-Definition Multimedia Interface, HDMI Trade dress and the HDMI Logos are trademarks or registered trademarks of HDMI Licensing Administrator, Inc. 

PJLink trademark is a trademark applied for registration or is already registered in Japan the United States of America and other countries and areas.

Crestron®, Crestron Connected®, Crestron Fusion®, Crestron Control®, and Crestron RoomView® are registered trademarks of Crestron Electronics, Inc.

Art-Net™ Designed by and Copyright Artistic Licence Holdings Ltd.

HDBaseT™ and the HDBaseT Alliance logo are trademarks of the HDBaseT Alliance.

Other product names used herein are also for identification purposes only and may be trademarks of their respective owners. Epson disclaims any and all rights in those marks.

■ Copyright Notice

All rights reserved. No part of this publication may be reproduced, stored in a retrieval system, or transmitted in any form or by any means, electronic, mechanical, photocopying, recording, or otherwise, without the prior written permission of Seiko Epson Corporation. No patent liability is assumed with respect to the use of the information contained herein.

Neither is any liability assumed for damages resulting from the use of the information contained herein. Neither Seiko Epson Corporation nor its affiliates shall be liable to the purchaser of this product or third parties for damages, losses, costs, or expenses incurred by the purchaser or third parties as a result of: accident, misuse, or abuse of this product or unauthorized modifications, repairs, or alterations to this product, or (excluding the U.S.) failure to strictly comply with Seiko Epson Corporation's operating and maintenance instructions.

Seiko Epson Corporation shall not be liable against any damages or problems arising from the use of any options or any consumable products other than those designated as Original Epson Products or Epson Approved Products by Seiko Epson Corporation.

The contents of this guide may be changed or updated without further notice.

Illustrations in this guide and the actual projector may differ.

■ Disclaimer

1. The contents of this document are subject to change without notice.
2. While every precaution has been taken in the preparation of this document, Seiko Epson Corporation assumes no responsibility for errors or omissions. Neither is any liability assumed for damages resulting from the use of the information contained herein.
3. Responsibility for use of this document lies with the user. Seiko Epson Corporation shall not be liable to the purchaser of this document or third parties for damages, losses, costs, or expenses incurred by the purchaser or third parties as a result of use of this document.

■ Copyright Attribution

This information is subject to change without notice.

© 2024 Seiko Epson Corporation

2025.1 EN Rev.04

