

Zoom Lens

This zoom lens is designed for use with Panasonic's applicable projectors. The lens makes it possible to vary the projection distance by changing the focal distance.

NOTE: The lens cannot be used by itself. It must be mounted onto the specified Panasonic DLP™ projector.

Specifications

F value:	1.8-2.4
Focal distance (f):	33.9-53.2 mm
Dimensions (W × H × D):	95 × 95 × 168 mm (3-3/4 × 3-3/4 × 6-5/8 inches)
Weight:	1.0 kg (2.2 lbs)
Applicable projector:	PT-DZ770K/DZ770LK/DZ770S/DZ770LS/DZ6710/DZ6710L/DZ6700/DZ6700L/ DW740S/DW740LS/DW740K/DW740LK/DW730S/DW730LS/DW730K/DW730LK/ DX810S/DX810LS/DX810K/DX810LK/DX800S/DX800LS/DX800K/DX800LK/ DW6300S/DW6300LS/DW6300K/DW6300LK/D6000S/D6000LS/D6000K/ D6000LK/D5000S/D5000LS

Dimensions

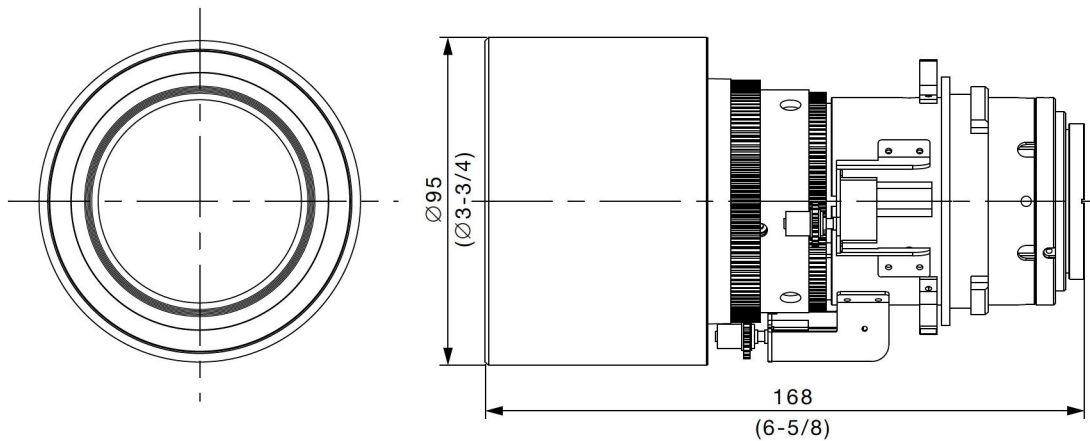
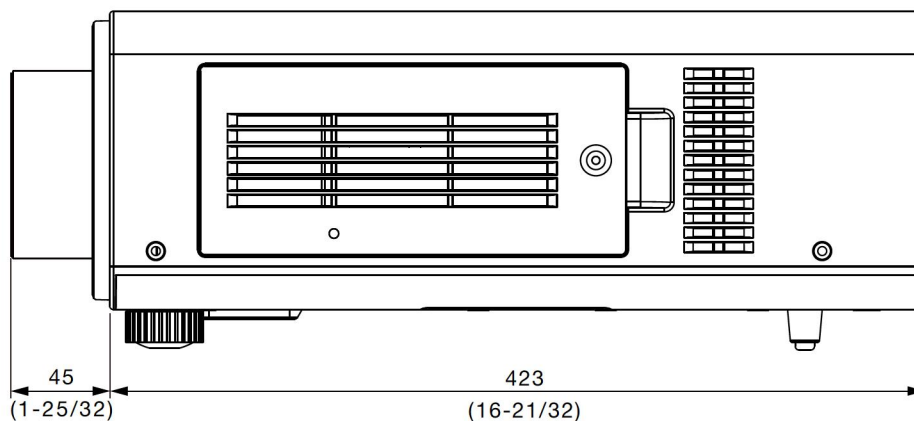


Illustration shows the lens attached to an applicable projector.



unit : mm (inch)
NOTE: This illustration is not drawn to scale.

For information on the projection distance, refer to the specifications for the projector to which the lens will be mounted.
DLP is a trademark of Texas Instruments. Weights and dimensions shown are approximate. Specifications subject to change without notice.