

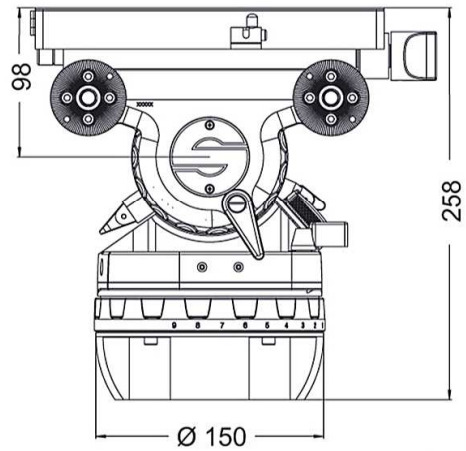
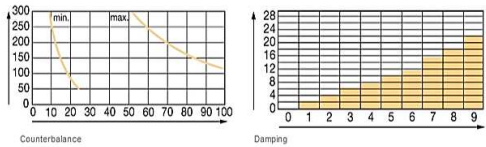


### Technical data

Weight	12.9 kg / 28.4 lbs
Payload	12 - 85 kg / 26 - 187 lbs
Sliding range - plate	145 mm / 5.7 in
Counterbalance	in 24 steps
Grades of drag	9 each horizontal and vertical + 0
Tilt range	-80°/60°
Temperature range	-40° to +60° C / -40 to +140° F
Camera fitting	V-plate
Tripod/Pedestal fitting	Flat base
Pan bar(s)	2 pan bar front sections
Level	self-illuminating Touch Bubble
Batteries Level	3 x 625U or LRS
Adapter viewfinder extension	optionally

### Payload

C.O.G.* [mm] / C.O.G.* [in]	min. kg / min. lb	max. kg / max. lb
75 / 3"	20.0 / 44.1	116.7 / 257.2
100 / 4"	17.5 / 38.5	101.9 / 224.8
125 / 5"	15.5 / 34.2	90.5 / 199.6
150 / 6"	14.0 / 30.8	81.4 / 179.4
175 / 7"	12.7 / 27.9	73.9 / 163.0
200 / 8"	11.6 / 25.6	67.7 / 149.3
250 / 10"	9.9 / 21.9	58.0 / 127.9
300 / 12"	8.7 / 19.2	50.7 / 111.8



### Technical data

Recommended for	fluid heads Video 50, Video 25 Plus, Video 60 Plus and Video 75 Plus (with #3914)
Weight	55 kg / 121 lbs
Payload	75 kg / 165 lbs
Height range	66 - 143 cm / 26.0 - 56.3 in
Lift	77 cm / 30.3 in
Clearance	69 - 92 cm / 27.2 - 36.2 in
Head fitting	flat base